



# SPEC CPU®2017 Floating Point Rate Result

Copyright 2017-2023 Standard Performance Evaluation Corporation

## Dell Inc.

SPECrate®2017\_fp\_base = 275

### PowerEdge R760xd2 (Intel Xeon Gold 5412U)

SPECrate®2017\_fp\_peak = 284

CPU2017 License: 6573

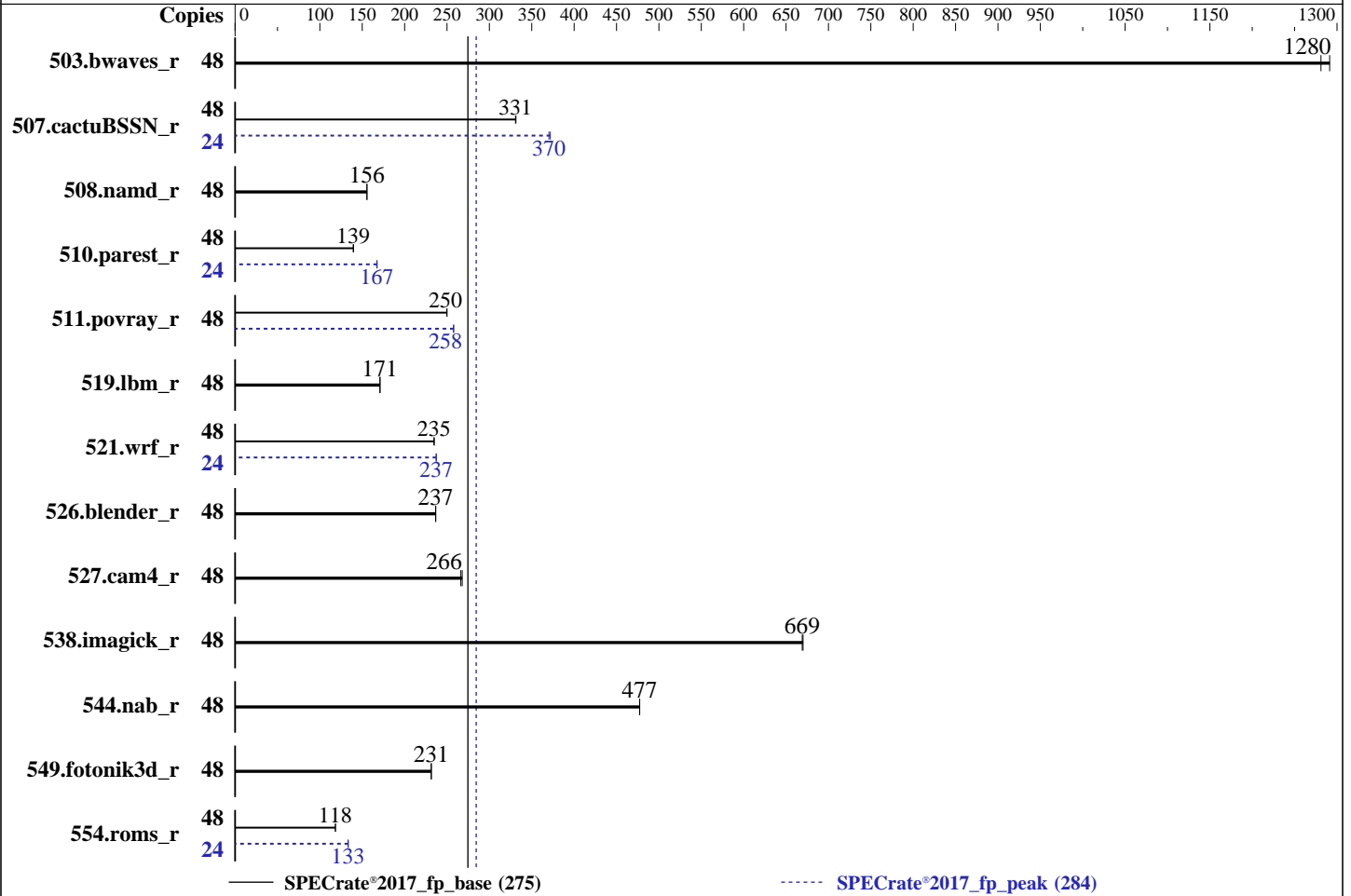
Test Sponsor: Dell Inc.

Tested by: Dell Inc.

Test Date: Mar-2023

Hardware Availability: Mar-2023

Software Availability: Dec-2022



### Hardware

CPU Name: Intel Xeon Gold 5412U  
 Max MHz: 3900  
 Nominal: 2100  
 Enabled: 24 cores, 1 chip, 2 threads/core  
 Orderable: 1 chip  
 Cache L1: 32 KB I + 48 KB D on chip per core  
 L2: 2 MB I+D on chip per core  
 L3: 45 MB I+D on chip per chip  
 Other: None  
 Memory: 512 GB (8 x 64 GB 2Rx4 PC5-4800B-R, running at 4400)  
 Storage: 125 GB on tmpfs  
 Other: None

### Software

OS: SUSE Linux Enterprise Server 15 SP4 5.14.21-150400.22-default  
 Compiler: C/C++: Version 2023.0 of Intel oneAPI DPC++/C++ Compiler for Linux;  
 Fortran: Version 2023.0 of Intel Fortran Compiler for Linux;  
 Parallel: No  
 Firmware: Version 1.0.1 released Mar-2023  
 File System: tmpfs  
 System State: Run level 3 (multi-user)  
 Base Pointers: 64-bit  
 Peak Pointers: 64-bit  
 Other: jemalloc memory allocator V5.0.1  
 Power Management: BIOS and OS set to prefer performance at the cost of additional power usage.



# SPEC CPU®2017 Floating Point Rate Result

Copyright 2017-2023 Standard Performance Evaluation Corporation

Dell Inc.

SPECrate®2017\_fp\_base = 275

PowerEdge R760xd2 (Intel Xeon Gold 5412U)

SPECrate®2017\_fp\_peak = 284

CPU2017 License: 6573  
Test Sponsor: Dell Inc.  
Tested by: Dell Inc.

Test Date: Mar-2023  
Hardware Availability: Mar-2023  
Software Availability: Dec-2022

## Results Table

Benchmark	Base							Peak						
	Copies	Seconds	Ratio	Seconds	Ratio	Seconds	Ratio	Copies	Seconds	Ratio	Seconds	Ratio	Seconds	Ratio
503.bwaves_r	48	<b><u>376</u></b>	<b><u>1280</u></b>	373	1290			48	<b><u>376</u></b>	<b><u>1280</u></b>	373	1290		
507.cactuBSSN_r	48	<b><u>184</u></b>	<b><u>331</u></b>	183	331			24	81.7	372	<b><u>82.1</u></b>	<b><u>370</u></b>		
508.namd_r	48	293	156	<b><u>293</u></b>	<b><u>156</u></b>			48	293	156	<b><u>293</u></b>	<b><u>156</u></b>		
510.parest_r	48	<b><u>901</u></b>	<b><u>139</u></b>	899	140			24	<b><u>376</u></b>	<b><u>167</u></b>	375	168		
511.povray_r	48	<b><u>449</u></b>	<b><u>250</u></b>	448	250			48	<b><u>435</u></b>	<b><u>258</u></b>	434	258		
519.lbm_r	48	296	171	<b><u>296</u></b>	<b><u>171</u></b>			48	296	171	<b><u>296</u></b>	<b><u>171</u></b>		
521.wrf_r	48	<b><u>458</u></b>	<b><u>235</u></b>	458	235			24	<b><u>227</u></b>	<b><u>237</u></b>	226	237		
526.blender_r	48	<b><u>309</u></b>	<b><u>237</u></b>	309	237			48	<b><u>309</u></b>	<b><u>237</u></b>	309	237		
527.cam4_r	48	<b><u>315</u></b>	<b><u>266</u></b>	313	268			48	<b><u>315</u></b>	<b><u>266</u></b>	313	268		
538.imagick_r	48	178	670	<b><u>178</u></b>	<b><u>669</u></b>			48	178	670	<b><u>178</u></b>	<b><u>669</u></b>		
544.nab_r	48	<b><u>169</u></b>	<b><u>477</u></b>	169	477			48	<b><u>169</u></b>	<b><u>477</u></b>	169	477		
549.fotonik3d_r	48	<b><u>808</u></b>	<b><u>231</u></b>	808	232			48	<b><u>808</u></b>	<b><u>231</u></b>	808	232		
554.roms_r	48	<b><u>645</u></b>	<b><u>118</u></b>	644	118			24	286	134	<b><u>286</u></b>	<b><u>133</u></b>		

SPECrate®2017\_fp\_base = **275**

SPECrate®2017\_fp\_peak = **284**

Results appear in the order in which they were run. Bold underlined text indicates a median measurement.

## Submit Notes

The numactl mechanism was used to bind copies to processors. The config file option 'submit' was used to generate numactl commands to bind each copy to a specific processor. For details, please see the config file.

## Operating System Notes

Stack size set to unlimited using "ulimit -s unlimited"

## Environment Variables Notes

Environment variables set by runcpu before the start of the run:

```
LD_LIBRARY_PATH =
"/mnt/ramdisk/cpu2017-1.1.9-ic2023.0-v4.3.2b/lib/intel64:/mnt/ramdisk/cpu2017-1.1.9-ic2023.0-v4.3.2b/j
e5.0.1-64"
MALLOCONF = "retain:true"
```

## General Notes

Binaries compiled on a system with 2x Intel Xeon Platinum 8280M CPU + 384GB RAM  
memory using Red Hat Enterprise Linux 8.4  
Transparent Huge Pages enabled by default  
Prior to runcpu invocation  
Filesystem page cache synced and cleared with:  
sync; echo 3> /proc/sys/vm/drop\_caches  
runcpu command invoked through numactl i.e.:  
numactl --interleave=all runcpu <etc>

(Continued on next page)



# SPEC CPU®2017 Floating Point Rate Result

Copyright 2017-2023 Standard Performance Evaluation Corporation

Dell Inc.

SPECrate®2017\_fp\_base = 275

PowerEdge R760xd2 (Intel Xeon Gold 5412U)

SPECrate®2017\_fp\_peak = 284

CPU2017 License: 6573

Test Sponsor: Dell Inc.

Tested by: Dell Inc.

Test Date: Mar-2023

Hardware Availability: Mar-2023

Software Availability: Dec-2022

## General Notes (Continued)

jemalloc, a general purpose malloc implementation  
built with the RedHat Enterprise 7.5, and the system compiler gcc 4.8.5  
sources available from jemalloc.net or <https://github.com/jemalloc/jemalloc/releases>

NA: The test sponsor attests, as of date of publication, that CVE-2017-5754 (Meltdown)  
is mitigated in the system as tested and documented.

Yes: The test sponsor attests, as of date of publication, that CVE-2017-5753 (Spectre variant 1)  
is mitigated in the system as tested and documented.

Yes: The test sponsor attests, as of date of publication, that CVE-2017-5715 (Spectre variant 2)  
is mitigated in the system as tested and documented.

Benchmark run from a 125 GB ramdisk created with the cmd: "mount -t tmpfs -o size=125G tmpfs /mnt/ramdisk"

## Platform Notes

BIOS settings:

```

      ADDDC Setting : Disabled
      DIMM Self Healing on
      Uncorrectable Memory Error : Disabled
      Virtualization Technology : Disabled
      DCU Streamer Prefetcher : Disabled
      Sub NUMA Cluster : 2-way Clustering
      LLC Prefetch : Disabled
      Dead Line LLC Alloc : Disabled

      System Profile : Custom
      CPU Power Management : Maximum Performance
      C1E : Disabled
      C States : Autonomous
      Memory Patrol Scrub : Disabled
      Energy Efficiency Policy : Performance
      PCI ASPM L1 Link
      Power Management : Disabled

```

Sysinfo program /mnt/ramdisk/cpu2017-1.1.9-ic2023.0-v4.3.2b/bin/sysinfo  
Rev: r6732 of 2022-11-07 fe91c89b7ed5c36ae2c92cc097bec197  
running on localhost Fri Mar 24 18:20:23 2023

SUT (System Under Test) info as seen by some common utilities.

-----  
Table of contents  
-----

1. uname -a
2. w
3. Username
4. ulimit -a
5. sysinfo process ancestry
6. /proc/cpuinfo
7. lscpu
8. numactl --hardware
9. /proc/meminfo
10. who -r
11. Systemd service manager version: systemd 249 (249.11+suse.124.g2bc0b2c447)
12. Services, from systemctl list-unit-files
13. Linux kernel boot-time arguments, from /proc/cmdline
14. cpupower frequency-info
15. sysctl

(Continued on next page)



# SPEC CPU®2017 Floating Point Rate Result

Copyright 2017-2023 Standard Performance Evaluation Corporation

Dell Inc.

SPECrate®2017\_fp\_base = 275

PowerEdge R760xd2 (Intel Xeon Gold 5412U)

SPECrate®2017\_fp\_peak = 284

CPU2017 License: 6573

Test Sponsor: Dell Inc.

Tested by: Dell Inc.

Test Date: Mar-2023

Hardware Availability: Mar-2023

Software Availability: Dec-2022

## Platform Notes (Continued)

- 16. /sys/kernel/mm/transparent\_hugepage
- 17. /sys/kernel/mm/transparent\_hugepage/khugepaged
- 18. OS release
- 19. Disk information
- 20. /sys/devices/virtual/dmi/id
- 21. dmidecode
- 22. BIOS

```
1. uname -a
Linux localhost 5.14.21-150400.22-default #1 SMP PREEMPT_DYNAMIC Wed May 11 06:57:18 UTC 2022 (49db222/lp)
x86_64 x86_64 x86_64 GNU/Linux
```

```
2. w
18:20:23 up 4:32, 1 user, load average: 31.74, 44.00, 46.42
USER TTY FROM LOGIN@ IDLE JCPU PCPU WHAT
root tty1 - 14:12 4:07m 1.23s 0.00s /bin/bash ./dell-run-specrate.sh
--iterations 2 --output_format csv,html,pdf,txt -define Dell-BIOS-inc=Dell-BIOS_Xeon-4.inc
```

```
3. Username
From environment variable $USER: root
```

```
4. ulimit -a
core file size (blocks, -c) unlimited
data seg size (kbytes, -d) unlimited
scheduling priority (-e) 0
file size (blocks, -f) unlimited
pending signals (-i) 2061827
max locked memory (kbytes, -l) 64
max memory size (kbytes, -m) unlimited
open files (-n) 1024
pipe size (512 bytes, -p) 8
POSIX message queues (bytes, -q) 819200
real-time priority (-r) 0
stack size (kbytes, -s) unlimited
cpu time (seconds, -t) unlimited
max user processes (-u) 2061827
virtual memory (kbytes, -v) unlimited
file locks (-x) unlimited
```

```
5. sysinfo process ancestry
/usr/lib/systemd/systemd --switched-root --system --deserialize 34
login -- root
-bash
/bin/bash ./DELL_rate.sh
/bin/bash ./dell-run-main.sh rate
/bin/bash ./dell-run-main.sh rate
/bin/bash ./dell-run-specrate.sh --iterations 2 --output_format csv,html,pdf,txt -define
Dell-BIOS-inc=Dell-BIOS_Xeon-4.inc
/bin/bash ./dell-run-specrate.sh --iterations 2 --output_format csv,html,pdf,txt -define
Dell-BIOS-inc=Dell-BIOS_Xeon-4.inc
runcpu --nobuild --action validate --define default-platform-flags --define numcopies=48 -c
ic2023.0-lin-sapphirerapids-rate-20221201.cfg --define smt-on --define cores=24 --define physicalfirst
--define invoke_with_interleave --define drop_caches --tune base,peak -o all --iterations 2
--output_format csv,html,pdf,txt -define Dell-BIOS-inc=Dell-BIOS_Xeon-4.inc fprate
```

(Continued on next page)



# SPEC CPU®2017 Floating Point Rate Result

Copyright 2017-2023 Standard Performance Evaluation Corporation

Dell Inc.

SPECrate®2017\_fp\_base = 275

PowerEdge R760xd2 (Intel Xeon Gold 5412U)

SPECrate®2017\_fp\_peak = 284

CPU2017 License: 6573  
Test Sponsor: Dell Inc.  
Tested by: Dell Inc.

Test Date: Mar-2023  
Hardware Availability: Mar-2023  
Software Availability: Dec-2022

## Platform Notes (Continued)

```
runcpu --nobuild --action validate --define default-platform-flags --define numcopies=48 --configfile
ic2023.0-lin-sapphirerapids-rate-20221201.cfg --define smt-on --define cores=24 --define physicalfirst
--define invoke_with_interleave --define drop_caches --tune base,peak --output_format all --iterations 2
--output_format csv,html,pdf,txt --define Dell-BIOS-inc=Dell-BIOS_Xeon-4.inc --nopower --runmode rate
--tune base:peak --size refrate fprate --nopreenv --note-preenv --logfile
$SPEC/tmp/CPU2017.002/templots/preenv.fprate.002.0.log --lognum 002.0 --from_runcpu 2
specperl $SPEC/bin/sysinfo
$SPEC = /mnt/ramdisk/cpu2017-1.1.9-ic2023.0-v4.3.2b
```

```
-----
6. /proc/cpuinfo
model name      : Intel(R) Xeon(R) Gold 5412U
vendor_id      : GenuineIntel
cpu family     : 6
model          : 143
stepping       : 8
microcode      : 0x2b0001b0
bugs           : spectre_v1 spectre_v2 spec_store_bypass swapgs
cpu cores      : 24
siblings       : 48
1 physical ids (chips)
48 processors (hardware threads)
physical id 0: core ids 0-23
physical id 0: apicids 0-47
```

Caution: /proc/cpuinfo data regarding chips, cores, and threads is not necessarily reliable, especially for virtualized systems. Use the above data carefully.

### 7. lscpu

From lscpu from util-linux 2.37.2:

```
Architecture:          x86_64
CPU op-mode(s):        32-bit, 64-bit
Address sizes:         46 bits physical, 57 bits virtual
Byte Order:            Little Endian
CPU(s):                48
On-line CPU(s) list:   0-47
Vendor ID:             GenuineIntel
Model name:            Intel(R) Xeon(R) Gold 5412U
CPU family:            6
Model:                 143
Thread(s) per core:    2
Core(s) per socket:    24
Socket(s):              1
Stepping:              8
BogoMIPS:              4200.00
Flags:                  fpu vme de pse tsc msr pae mce cx8 apic sep mtrr pge mca cmov pat pse36
                        clflush dts acpi mmx fxsr sse sse2 ss ht tm pbe syscall nx pdpe1gb rdtscp
                        lm constant_tsc art arch_perfmon pebs bts rep_good nopl xtopology
                        nonstop_tsc cpuid aperfmperf tsc_known_freq pni pclmulqdq dtes64 monitor
                        ds_cpl smx est tm2 ssse3 sdbg fma cx16 xtpr pdcm pcid dca sse4_1 sse4_2
                        x2apic movbe popcnt tsc_deadline_timer aes xsave avx f16c rdrand lahf_lm
                        abm 3dnowprefetch cpuid_fault epb cat_l3 cat_l2 cdp_l3 invpcid_single
                        cdp_l2 ssbd mba ibrs ibpb stibp ibrs_enhanced fsgsbase tsc_adjust bmi1 hle
                        avx2 smep bmi2 erms invpcid rtm cqm rdt_a avx512f avx512dq rdseed adx smap
                        avx512ifma clflushopt clwb intel_pt avx512cd sha_ni avx512bw avx512vl
                        xsaveopt xsavec xgetbv1 xsaves cqm_llc cqm_occup_llc cqm_mbm_total
                        cqm_mbm_local split_lock_detect avx_vnni avx512_bf16 wbnoinvd dtherm ida
                        arat pln pts avx512vbmi umip pku ospke waitpkg avx512_vbmi2 gfni vaes
                        vpclmulqdq avx512_vnni avx512_bitalg tme avx512_vpopcntdq la57 rdpid
```

(Continued on next page)



# SPEC CPU®2017 Floating Point Rate Result

Copyright 2017-2023 Standard Performance Evaluation Corporation

## Dell Inc.

## SPECrate®2017\_fp\_base = 275

## PowerEdge R760xd2 (Intel Xeon Gold 5412U)

## SPECrate®2017\_fp\_peak = 284

**CPU2017 License:** 6573  
**Test Sponsor:** Dell Inc.  
**Tested by:** Dell Inc.

**Test Date:** Mar-2023  
**Hardware Availability:** Mar-2023  
**Software Availability:** Dec-2022

### Platform Notes (Continued)

```

bus_lock_detect cldemote movdiri movdir64b enqcmd fsrm md_clear serialize
tsxldtrk pconfig arch_lbr avx512_fp16 amx_tile flush_lld arch_capabilities
Lld cache: 1.1 MiB (24 instances)
Lli cache: 768 KiB (24 instances)
L2 cache: 48 MiB (24 instances)
L3 cache: 45 MiB (1 instance)
NUMA node(s): 2
NUMA node0 CPU(s): 0,2,4,6,8,10,12,14,16,18,20,22,24,26,28,30,32,34,36,38,40,42,44,46
NUMA node1 CPU(s): 1,3,5,7,9,11,13,15,17,19,21,23,25,27,29,31,33,35,37,39,41,43,45,47
Vulnerability Itlb multihit: Not affected
Vulnerability L1tf: Not affected
Vulnerability Mds: Not affected
Vulnerability Meltdown: Not affected
Vulnerability Spec store bypass: Mitigation; Speculative Store Bypass disabled via prctl and seccomp
Vulnerability Spectre v1: Mitigation; usercopy/swapgs barriers and __user pointer sanitization
Vulnerability Spectre v2: Mitigation; Enhanced IBRS, IBPB conditional, RSB filling
Vulnerability Srbds: Not affected
Vulnerability Tsx async abort: Not affected

```

From lscpu --cache:

NAME	ONE-SIZE	ALL-SIZE	WAYS	TYPE	LEVEL	SETS	PHY-LINE	COHERENCY-SIZE
Lld	48K	1.1M	12	Data	1	64	1	64
Lli	32K	768K	8	Instruction	1	64	1	64
L2	2M	48M	16	Unified	2	2048	1	64
L3	45M	45M	15	Unified	3	49152	1	64

8. numactl --hardware

```

NOTE: a numactl 'node' might or might not correspond to a physical chip.
available: 2 nodes (0-1)
node 0 cpus: 0,2,4,6,8,10,12,14,16,18,20,22,24,26,28,30,32,34,36,38,40,42,44,46
node 0 size: 257494 MB
node 0 free: 240633 MB
node 1 cpus: 1,3,5,7,9,11,13,15,17,19,21,23,25,27,29,31,33,35,37,39,41,43,45,47
node 1 size: 257987 MB
node 1 free: 241191 MB
node distances:
node 0 1
0: 10 12
1: 12 10

```

9. /proc/meminfo

MemTotal: 527853412 kB

10. who -r

run-level 3 Mar 24 13:48

11. Systemd service manager version: systemd 249 (249.11+suse.124.g2bc0b2c447)

```

Default Target Status
multi-user      running

```

12. Services, from systemctl list-unit-files

```

STATE UNIT FILES
enabled ModemManager YaST2-Firstboot YaST2-Second-Stage apparmor auditd bluetooth cron
display-manager getty@ haveged irqbalance iscsi issue-generator kbdsettings klog
lvm2-monitor nscd nvme-fc-boot-connections postfix purge-kernels rollback rsyslog smartd

```

(Continued on next page)



# SPEC CPU®2017 Floating Point Rate Result

Copyright 2017-2023 Standard Performance Evaluation Corporation

Dell Inc.

SPECrate®2017\_fp\_base = 275

PowerEdge R760xd2 (Intel Xeon Gold 5412U)

SPECrate®2017\_fp\_peak = 284

CPU2017 License: 6573

Test Sponsor: Dell Inc.

Tested by: Dell Inc.

Test Date: Mar-2023

Hardware Availability: Mar-2023

Software Availability: Dec-2022

## Platform Notes (Continued)

```

enabled-runtime  sshd wicked wickedd-auto4 wickedd-dhcp4 wickedd-dhcp6 wickedd-nanny wpa_supplicant
disabled        systemd-remount-fs
                NetworkManager NetworkManager-dispatcher NetworkManager-wait-online accounts-daemon
                appstream-sync-cache autofs autovast-initscripts blk-availability bluetooth-mesh
                boot-sysctl ca-certificates chrony-wait chronyd console-getty cups cups-browsed
                debug-shell dmraid-activation dnsmasq ebttables exchange-bmc-os-info firewallld gpm
                grub2-once haveged-switch-root ipmi ipmievd iscsi-init iscsid iscsiui issue-add-ssh-keys
                kexec-load lunmask man-db-create multipathd nfs nfs-blkmap nm-cloud-setup nmb
                nvme-autoconnect openvpn@ ostree-remount pppoe pppoe-server rdisc rpcbind rpmconfigcheck
                rsyncd rtkit-daemon serial-getty@ smartd_generate_opts smb snmpd snmptrapd
                speech-dispatcherd systemd-boot-check-no-failures systemd-network-generator systemd-sysex
                systemd-time-wait-sync systemd-timesyncd udisks2 upower wpa_supplicant@
indirect        pcsd saned@ wickedd

```

```

-----
13. Linux kernel boot-time arguments, from /proc/cmdline
BOOT_IMAGE=/boot/vmlinuz-5.14.21-150400.22-default
root=UUID=74fec0f5-2201-4e36-82b4-4c08aef9d2d7
splash=silent
resume=/dev/disk/by-uuid/4f026252-b280-4df8-a586-334969a9424f
mitigations=auto
quiet
security=apparmor

```

```

-----
14. cpupower frequency-info
analyzing CPU 0:
Unable to determine current policy
boost state support:
Supported: yes
Active: yes

```

```

-----
15. sysctl
kernel.numa_balancing          1
kernel.randomize_va_space      2
vm.compaction_proactiveness     20
vm.dirty_background_bytes      0
vm.dirty_background_ratio      10
vm.dirty_bytes                  0
vm.dirty_expire_centisecs      3000
vm.dirty_ratio                  20
vm.dirty_writeback_centisecs   500
vm.dirtytime_expire_seconds    43200
vm.extfrag_threshold           500
vm.min_unmapped_ratio          1
vm.nr_hugepages                 0
vm.nr_hugepages_mempolicy      0
vm.nr_overcommit_hugepages     0
vm.swappiness                   60
vm.watermark_boost_factor      15000
vm.watermark_scale_factor      10
vm.zone_reclaim_mode           0

```

```

-----
16. /sys/kernel/mm/transparent_hugepage
defrag          always defer defer+madvise [madvise] never
enabled         [always] madvise never
hpage_pmd_size 2097152
shmem_enabled   always within_size advise [never] deny force

```

(Continued on next page)



# SPEC CPU®2017 Floating Point Rate Result

Copyright 2017-2023 Standard Performance Evaluation Corporation

Dell Inc.

SPECrate®2017\_fp\_base = 275

PowerEdge R760xd2 (Intel Xeon Gold 5412U)

SPECrate®2017\_fp\_peak = 284

CPU2017 License: 6573

Test Sponsor: Dell Inc.

Tested by: Dell Inc.

Test Date: Mar-2023

Hardware Availability: Mar-2023

Software Availability: Dec-2022

## Platform Notes (Continued)

```
-----
17. /sys/kernel/mm/transparent_hugepage/khugepaged
alloc_sleep_millisecs 60000
defrag 1
max_ptes_none 511
max_ptes_shared 256
max_ptes_swap 64
pages_to_scan 4096
scan_sleep_millisecs 10000
-----
```

```
-----
18. OS release
From /etc/*-release /etc/*-version
os-release SUSE Linux Enterprise Server 15 SP4
-----
```

```
-----
19. Disk information
SPEC is set to: /mnt/ramdisk/cpu2017-1.1.9-ic2023.0-v4.3.2b
Filesystem Type Size Used Avail Use% Mounted on
tmpfs tmpfs 125G 27G 99G 22% /mnt/ramdisk
-----
```

```
-----
20. /sys/devices/virtual/dmi/id
Vendor: Dell Inc.
Product: PowerEdge R760xd2
Product Family: PowerEdge
Serial: DULAC01
-----
```

```
-----
21. dmidecode
Additional information from dmidecode 3.2 follows. WARNING: Use caution when you interpret this section.
The 'dmidecode' program reads system data which is "intended to allow hardware to be accurately
determined", but the intent may not be met, as there are frequent changes to hardware, firmware, and the
"DMTF SMBIOS" standard.
Memory:
8x 00CE00B300CE M321R8GA0BB0-CQKEG 64 GB 2 rank 4800, configured at 4400
-----
```

```
-----
22. BIOS
(This section combines info from /sys/devices and dmidecode.)
BIOS Vendor: Dell Inc.
BIOS Version: 1.0.1
BIOS Date: 03/09/2023
BIOS Revision: 1.0
-----
```

## Compiler Version Notes

```
=====
C | 519.lbm_r(base, peak) 538.imagick_r(base, peak) 544.nab_r(base, peak)
-----
```

```
Intel(R) oneAPI DPC++/C++ Compiler for applications running on Intel(R) 64, Version 2023.0.0 Build 20221201
Copyright (C) 1985-2022 Intel Corporation. All rights reserved.
-----
```

```
=====
C++ | 508.namd_r(base, peak) 510.parest_r(base, peak)
-----
```

(Continued on next page)





# SPEC CPU®2017 Floating Point Rate Result

Copyright 2017-2023 Standard Performance Evaluation Corporation

Dell Inc.

SPECrate®2017\_fp\_base = 275

PowerEdge R760xd2 (Intel Xeon Gold 5412U)

SPECrate®2017\_fp\_peak = 284

CPU2017 License: 6573

Test Sponsor: Dell Inc.

Tested by: Dell Inc.

Test Date: Mar-2023

Hardware Availability: Mar-2023

Software Availability: Dec-2022

## Compiler Version Notes (Continued)

Intel(R) oneAPI DPC++/C++ Compiler for applications running on Intel(R) 64, Version 2023.0.0 Build 20221201  
Copyright (C) 1985-2022 Intel Corporation. All rights reserved.

=====  
C++, C | 511.povray\_r(base, peak) 526.blender\_r(base, peak)  
=====

Intel(R) oneAPI DPC++/C++ Compiler for applications running on Intel(R) 64, Version 2023.0.0 Build 20221201  
Copyright (C) 1985-2022 Intel Corporation. All rights reserved.

Intel(R) oneAPI DPC++/C++ Compiler for applications running on Intel(R) 64, Version 2023.0.0 Build 20221201  
Copyright (C) 1985-2022 Intel Corporation. All rights reserved.

=====  
C++, C, Fortran | 507.cactuBSSN\_r(base, peak)  
=====

Intel(R) oneAPI DPC++/C++ Compiler for applications running on Intel(R) 64, Version 2023.0.0 Build 20221201  
Copyright (C) 1985-2022 Intel Corporation. All rights reserved.

Intel(R) oneAPI DPC++/C++ Compiler for applications running on Intel(R) 64, Version 2023.0.0 Build 20221201  
Copyright (C) 1985-2022 Intel Corporation. All rights reserved.

Intel(R) Fortran Compiler for applications running on Intel(R) 64, Version 2023.0.0 Build 20221201  
Copyright (C) 1985-2022 Intel Corporation. All rights reserved.

=====  
Fortran | 503.bwaves\_r(base, peak) 549.fotonik3d\_r(base, peak) 554.roms\_r(base, peak)  
=====

Intel(R) Fortran Compiler for applications running on Intel(R) 64, Version 2023.0.0 Build 20221201  
Copyright (C) 1985-2022 Intel Corporation. All rights reserved.

=====  
Fortran, C | 521.wrf\_r(base, peak) 527.cam4\_r(base, peak)  
=====

Intel(R) Fortran Compiler for applications running on Intel(R) 64, Version 2023.0.0 Build 20221201  
Copyright (C) 1985-2022 Intel Corporation. All rights reserved.

Intel(R) oneAPI DPC++/C++ Compiler for applications running on Intel(R) 64, Version 2023.0.0 Build 20221201  
Copyright (C) 1985-2022 Intel Corporation. All rights reserved.

## Base Compiler Invocation

C benchmarks:

icx

C++ benchmarks:

icpx

Fortran benchmarks:

ifx

Benchmarks using both Fortran and C:

ifx icx

(Continued on next page)



# SPEC CPU®2017 Floating Point Rate Result

Copyright 2017-2023 Standard Performance Evaluation Corporation

Dell Inc.

SPECrate®2017\_fp\_base = 275

PowerEdge R760xd2 (Intel Xeon Gold 5412U)

SPECrate®2017\_fp\_peak = 284

CPU2017 License: 6573

Test Sponsor: Dell Inc.

Tested by: Dell Inc.

Test Date: Mar-2023

Hardware Availability: Mar-2023

Software Availability: Dec-2022

## Base Compiler Invocation (Continued)

Benchmarks using both C and C++:

icpx icx

Benchmarks using Fortran, C, and C++:

icpx icx ifx

## Base Portability Flags

503.bwaves\_r: -DSPEC\_LP64  
 507.cactuBSSN\_r: -DSPEC\_LP64  
 508.namd\_r: -DSPEC\_LP64  
 510.parest\_r: -DSPEC\_LP64  
 511.povray\_r: -DSPEC\_LP64  
 519.lbm\_r: -DSPEC\_LP64  
 521.wrf\_r: -DSPEC\_LP64 -DSPEC\_CASE\_FLAG -convert big\_endian  
 526.blender\_r: -DSPEC\_LP64 -DSPEC\_LINUX -funsigned-char  
 527.cam4\_r: -DSPEC\_LP64 -DSPEC\_CASE\_FLAG  
 538.imagick\_r: -DSPEC\_LP64  
 544.nab\_r: -DSPEC\_LP64  
 549.fotonik3d\_r: -DSPEC\_LP64  
 554.roms\_r: -DSPEC\_LP64

## Base Optimization Flags

C benchmarks:

-w -std=c11 -m64 -Wl,-z,muldefs -xsapphirerapids -Ofast -ffast-math  
 -flto -mfpmath=sse -funroll-loops -qopt-mem-layout-trans=4  
 -Wno-implicit-int -mprefer-vector-width=512 -ljemalloc  
 -L/usr/local/jemalloc64-5.0.1/lib

C++ benchmarks:

-w -std=c++14 -m64 -Wl,-z,muldefs -xsapphirerapids -Ofast  
 -ffast-math -flto -mfpmath=sse -funroll-loops  
 -qopt-mem-layout-trans=4 -mprefer-vector-width=512 -ljemalloc  
 -L/usr/local/jemalloc64-5.0.1/lib

Fortran benchmarks:

-w -m64 -Wl,-z,muldefs -xsapphirerapids -Ofast -ffast-math -flto  
 -mfpmath=sse -funroll-loops -qopt-mem-layout-trans=4  
 -nostandard-realloc-lhs -align array32byte -auto -ljemalloc  
 -L/usr/local/jemalloc64-5.0.1/lib

(Continued on next page)



# SPEC CPU®2017 Floating Point Rate Result

Copyright 2017-2023 Standard Performance Evaluation Corporation

Dell Inc.

SPECrate®2017\_fp\_base = 275

PowerEdge R760xd2 (Intel Xeon Gold 5412U)

SPECrate®2017\_fp\_peak = 284

CPU2017 License: 6573

Test Sponsor: Dell Inc.

Tested by: Dell Inc.

Test Date: Mar-2023

Hardware Availability: Mar-2023

Software Availability: Dec-2022

## Base Optimization Flags (Continued)

Benchmarks using both Fortran and C:

```
-w -m64 -std=c11 -Wl,-z,muldefs -xsapphirerapids -Ofast -ffast-math
-flto -mfpmath=sse -funroll-loops -qopt-mem-layout-trans=4
-Wno-implicit-int -mprefer-vector-width=512 -nostandard-realloc-lhs
-align array32byte -auto -ljemalloc -L/usr/local/jemalloc64-5.0.1/lib
```

Benchmarks using both C and C++:

```
-w -std=c++14 -m64 -std=c11 -Wl,-z,muldefs -xsapphirerapids -Ofast
-ffast-math -flto -mfpmath=sse -funroll-loops
-qopt-mem-layout-trans=4 -Wno-implicit-int -mprefer-vector-width=512
-ljemalloc -L/usr/local/jemalloc64-5.0.1/lib
```

Benchmarks using Fortran, C, and C++:

```
-w -m64 -std=c++14 -std=c11 -Wl,-z,muldefs -xsapphirerapids -Ofast
-ffast-math -flto -mfpmath=sse -funroll-loops
-qopt-mem-layout-trans=4 -Wno-implicit-int -mprefer-vector-width=512
-nostandard-realloc-lhs -align array32byte -auto -ljemalloc
-L/usr/local/jemalloc64-5.0.1/lib
```

## Peak Compiler Invocation

C benchmarks:

icx

C++ benchmarks:

icpx

Fortran benchmarks:

ifx

Benchmarks using both Fortran and C:

ifx icx

Benchmarks using both C and C++:

icpx icx

Benchmarks using Fortran, C, and C++:

icpx icx ifx



# SPEC CPU®2017 Floating Point Rate Result

Copyright 2017-2023 Standard Performance Evaluation Corporation

Dell Inc.

SPECrate®2017\_fp\_base = 275

PowerEdge R760xd2 (Intel Xeon Gold 5412U)

SPECrate®2017\_fp\_peak = 284

CPU2017 License: 6573

Test Sponsor: Dell Inc.

Tested by: Dell Inc.

Test Date: Mar-2023

Hardware Availability: Mar-2023

Software Availability: Dec-2022

## Peak Portability Flags

Same as Base Portability Flags

## Peak Optimization Flags

C benchmarks:

519.lbm\_r: basepeak = yes

538.imagick\_r: basepeak = yes

544.nab\_r: basepeak = yes

C++ benchmarks:

508.namd\_r: basepeak = yes

510.parest\_r: -w -std=c++14 -m64 -Wl,-z,muldefs -xsapphirerapids -Ofast -ffast-math -flto -mfpmath=sse -funroll-loops -qopt-mem-layout-trans=4 -mprefer-vector-width=512 -ljemalloc -L/usr/local/jemalloc64-5.0.1/lib

Fortran benchmarks:

503.bwaves\_r: basepeak = yes

549.fotonik3d\_r: basepeak = yes

554.roms\_r: -w -m64 -Wl,-z,muldefs -xsapphirerapids -Ofast -ffast-math -flto -mfpmath=sse -funroll-loops -qopt-mem-layout-trans=4 -nostandard-realloc-lhs -align array32byte -auto -ljemalloc -L/usr/local/jemalloc64-5.0.1/lib

Benchmarks using both Fortran and C:

521.wrf\_r: -w -m64 -std=c11 -Wl,-z,muldefs -xsapphirerapids -Ofast -ffast-math -flto -mfpmath=sse -funroll-loops -qopt-mem-layout-trans=4 -Wno-implicit-int -mprefer-vector-width=512 -nostandard-realloc-lhs -align array32byte -auto -ljemalloc -L/usr/local/jemalloc64-5.0.1/lib

527.cam4\_r: basepeak = yes

(Continued on next page)



# SPEC CPU®2017 Floating Point Rate Result

Copyright 2017-2023 Standard Performance Evaluation Corporation

Dell Inc.

SPECrate®2017\_fp\_base = 275

PowerEdge R760xd2 (Intel Xeon Gold 5412U)

SPECrate®2017\_fp\_peak = 284

CPU2017 License: 6573

Test Sponsor: Dell Inc.

Tested by: Dell Inc.

Test Date: Mar-2023

Hardware Availability: Mar-2023

Software Availability: Dec-2022

## Peak Optimization Flags (Continued)

Benchmarks using both C and C++:

```
511.povray_r: -w -std=c++14 -m64 -std=c11 -Wl,-z,muldefs
-fprofile-generate(pass 1)
-fprofile-use=default.profdata(pass 2) -xCORE-AVX2(pass 1)
-flto -Ofast -xCORE-AVX512 -ffast-math -mfpmath=sse
-funroll-loops -qopt-mem-layout-trans=4 -Wno-implicit-int
-mprefer-vector-width=512 -ljemalloc
-L/usr/local/jemalloc64-5.0.1/lib
```

526.blender\_r: basepeak = yes

Benchmarks using Fortran, C, and C++:

```
-w -m64 -std=c++14 -std=c11 -Wl,-z,muldefs -xsapphirerapids -Ofast
-ffast-math -flto -mfpmath=sse -funroll-loops
-qopt-mem-layout-trans=4 -Wno-implicit-int -mprefer-vector-width=512
-nostandard-realloc-lhs -align array32byte -auto -ljemalloc
-L/usr/local/jemalloc64-5.0.1/lib
```

The flags files that were used to format this result can be browsed at

<http://www.spec.org/cpu2017/flags/Intel-ic2023-official-linux64.html>

<http://www.spec.org/cpu2017/flags/Dell-Platform-Flags-PowerEdge-Intel-Xeon-v1.3.html>

You can also download the XML flags sources by saving the following links:

<http://www.spec.org/cpu2017/flags/Intel-ic2023-official-linux64.xml>

<http://www.spec.org/cpu2017/flags/Dell-Platform-Flags-PowerEdge-Intel-Xeon-v1.3.xml>

SPEC CPU and SPECrate are registered trademarks of the Standard Performance Evaluation Corporation. All other brand and product names appearing in this result are trademarks or registered trademarks of their respective holders.

For questions about this result, please contact the tester. For other inquiries, please contact [info@spec.org](mailto:info@spec.org).

Tested with SPEC CPU®2017 v1.1.9 on 2023-03-24 06:20:23-0400.

Report generated on 2023-04-26 10:21:11 by CPU2017 PDF formatter v6716.

Originally published on 2023-04-26.