



SPEC CPU®2017 Floating Point Rate Result

Copyright 2017-2023 Standard Performance Evaluation Corporation

Dell Inc.

SPECrate®2017_fp_base = 572

PowerEdge R760xd2 (Intel Xeon Gold 6428N)

SPECrate®2017_fp_peak = 596

CPU2017 License: 6573

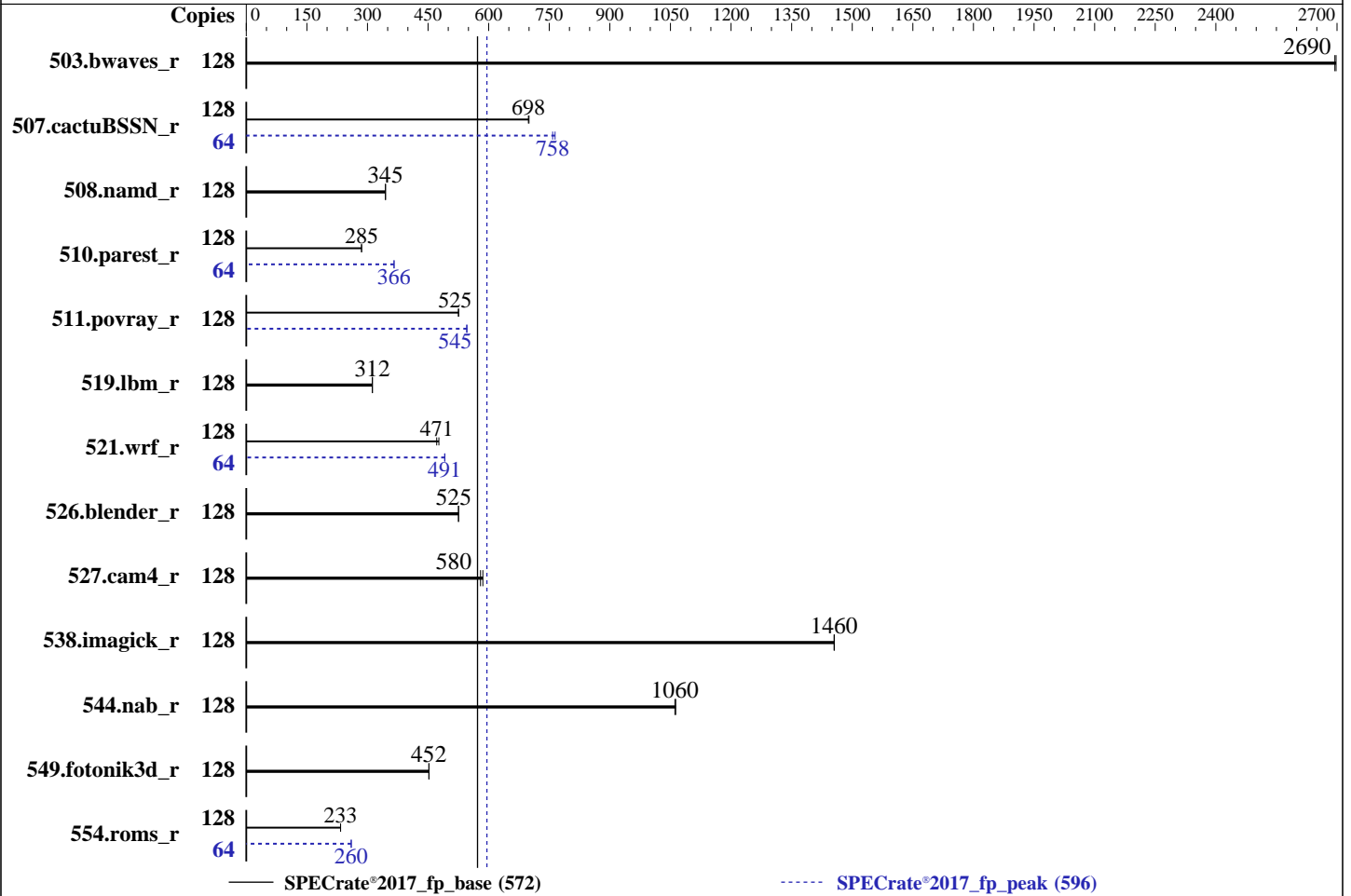
Test Sponsor: Dell Inc.

Tested by: Dell Inc.

Test Date: Mar-2023

Hardware Availability: Mar-2023

Software Availability: Dec-2022



Hardware

CPU Name: Intel Xeon Gold 6428N
 Max MHz: 3800
 Nominal: 1800
 Enabled: 64 cores, 2 chips, 2 threads/core
 Orderable: 1,2 chips
 Cache L1: 32 KB I + 48 KB D on chip per core
 L2: 2 MB I+D on chip per core
 L3: 60 MB I+D on chip per chip
 Other: None
 Memory: 1 TB (16 x 64 GB 2Rx4 PC5-4800B-R, running at 4000)
 Storage: 125 GB on tmpfs
 Other: None

Software

OS: SUSE Linux Enterprise Server 15 SP4 5.14.21-150400.22-default
 Compiler: C/C++: Version 2023.0 of Intel oneAPI DPC++/C++ Compiler for Linux;
 Fortran: Version 2023.0 of Intel Fortran Compiler for Linux;
 Parallel: No
 Firmware: Version 1.0.1 released Mar-2023
 File System: tmpfs
 System State: Run level 3 (multi-user)
 Base Pointers: 64-bit
 Peak Pointers: 64-bit
 Other: jemalloc memory allocator V5.0.1
 Power Management: BIOS and OS set to prefer performance at the cost of additional power usage.



SPEC CPU®2017 Floating Point Rate Result

Copyright 2017-2023 Standard Performance Evaluation Corporation

Dell Inc.

SPECrate®2017_fp_base = 572

PowerEdge R760xd2 (Intel Xeon Gold 6428N)

SPECrate®2017_fp_peak = 596

CPU2017 License: 6573
Test Sponsor: Dell Inc.
Tested by: Dell Inc.

Test Date: Mar-2023
Hardware Availability: Mar-2023
Software Availability: Dec-2022

Results Table

| Benchmark | Base | | | | | | | Peak | | | | | | |
|-----------------|--------|--------------------|--------------------|--------------------|--------------------|---------|-------|--------|--------------------|--------------------|-------------------|--------------------|---------|-------|
| | Copies | Seconds | Ratio | Seconds | Ratio | Seconds | Ratio | Copies | Seconds | Ratio | Seconds | Ratio | Seconds | Ratio |
| 503.bwaves_r | 128 | 476 | 2700 | <u>476</u> | <u>2690</u> | | | 128 | 476 | 2700 | <u>476</u> | <u>2690</u> | | |
| 507.cactuBSSN_r | 128 | 232 | 700 | <u>232</u> | <u>698</u> | | | 64 | 106 | 764 | <u>107</u> | <u>758</u> | | |
| 508.namd_r | 128 | 353 | 345 | <u>353</u> | <u>345</u> | | | 128 | 353 | 345 | <u>353</u> | <u>345</u> | | |
| 510.parest_r | 128 | 1173 | 285 | <u>1174</u> | <u>285</u> | | | 64 | 458 | 366 | <u>458</u> | <u>366</u> | | |
| 511.povray_r | 128 | 569 | 526 | <u>569</u> | <u>525</u> | | | 128 | <u>548</u> | <u>545</u> | 547 | 546 | | |
| 519.lbm_r | 128 | 432 | 312 | <u>432</u> | <u>312</u> | | | 128 | 432 | 312 | <u>432</u> | <u>312</u> | | |
| 521.wrf_r | 128 | <u>608</u> | <u>471</u> | 601 | 477 | | | 64 | 292 | 492 | <u>292</u> | <u>491</u> | | |
| 526.blender_r | 128 | <u>371</u> | <u>525</u> | 371 | 525 | | | 128 | <u>371</u> | <u>525</u> | 371 | 525 | | |
| 527.cam4_r | 128 | <u>386</u> | <u>580</u> | 382 | 586 | | | 128 | <u>386</u> | <u>580</u> | 382 | 586 | | |
| 538.imagick_r | 128 | <u>219</u> | <u>1460</u> | 219 | 1460 | | | 128 | <u>219</u> | <u>1460</u> | 219 | 1460 | | |
| 544.nab_r | 128 | <u>203</u> | <u>1060</u> | 203 | 1060 | | | 128 | <u>203</u> | <u>1060</u> | 203 | 1060 | | |
| 549.fotonik3d_r | 128 | <u>1103</u> | <u>452</u> | 1103 | 452 | | | 128 | <u>1103</u> | <u>452</u> | 1103 | 452 | | |
| 554.roms_r | 128 | 871 | 233 | <u>871</u> | <u>233</u> | | | 64 | 391 | 260 | <u>392</u> | <u>260</u> | | |

SPECrate®2017_fp_base = **572**

SPECrate®2017_fp_peak = **596**

Results appear in the order in which they were run. Bold underlined text indicates a median measurement.

Submit Notes

The numactl mechanism was used to bind copies to processors. The config file option 'submit' was used to generate numactl commands to bind each copy to a specific processor. For details, please see the config file.

Operating System Notes

Stack size set to unlimited using "ulimit -s unlimited"

Environment Variables Notes

Environment variables set by runcpu before the start of the run:

```
LD_LIBRARY_PATH =
    "/mnt/ramdisk/cpu2017-1.1.9-ic2023.0/lib/intel64:/mnt/ramdisk/cpu2017-1.1.9-ic2023.0/je5.0.1-64"
MALLOC_CONF = "retain:true"
```

General Notes

Binaries compiled on a system with 2x Intel Xeon Platinum 8280M CPU + 384GB RAM
memory using Red Hat Enterprise Linux 8.4
Transparent Huge Pages enabled by default
Prior to runcpu invocation
Filesystem page cache synced and cleared with:
sync; echo 3> /proc/sys/vm/drop_caches
runcpu command invoked through numactl i.e.:
numactl --interleave=all runcpu <etc>
jemalloc, a general purpose malloc implementation

(Continued on next page)



SPEC CPU®2017 Floating Point Rate Result

Copyright 2017-2023 Standard Performance Evaluation Corporation

Dell Inc.

SPECrate®2017_fp_base = 572

PowerEdge R760xd2 (Intel Xeon Gold 6428N)

SPECrate®2017_fp_peak = 596

CPU2017 License: 6573
Test Sponsor: Dell Inc.
Tested by: Dell Inc.

Test Date: Mar-2023
Hardware Availability: Mar-2023
Software Availability: Dec-2022

General Notes (Continued)

built with the RedHat Enterprise 7.5, and the system compiler gcc 4.8.5
sources available from jemalloc.net or <https://github.com/jemalloc/jemalloc/releases>

NA: The test sponsor attests, as of date of publication, that CVE-2017-5754 (Meltdown) is mitigated in the system as tested and documented.
Yes: The test sponsor attests, as of date of publication, that CVE-2017-5753 (Spectre variant 1) is mitigated in the system as tested and documented.
Yes: The test sponsor attests, as of date of publication, that CVE-2017-5715 (Spectre variant 2) is mitigated in the system as tested and documented.

Benchmark run from a 125 GB ramdisk created with the cmd: "mount -t tmpfs -o size=125G tmpfs /mnt/ramdisk"

Platform Notes

BIOS settings:

ADDC Setting : Disabled
DIMM Self Healing on
Uncorrectable Memory Error : Disabled
Virtualization Technology : Disabled
DCU Streamer Prefetcher : Disabled
Sub NUMA Cluster : 2-way Clustering
LLC Prefetch : Disabled
Dead Line LLC Alloc : Disabled

System Profile : Custom
CPU Power Management : Maximum Performance
CIE : Disabled
C States : Autonomous
Memory Patrol Scrub : Disabled
Energy Efficiency Policy : Performance
PCI ASPM L1 Link
Power Management : Disabled

Sysinfo program /mnt/ramdisk/cpu2017-1.1.9-ic2023.0/bin/sysinfo
Rev: r6732 of 2022-11-07 fe91c89b7ed5c36ae2c92cc097bec197
running on localhost Tue Mar 28 04:15:31 2023

SUT (System Under Test) info as seen by some common utilities.

Table of contents

1. uname -a
2. w
3. Username
4. ulimit -a
5. sysinfo process ancestry
6. /proc/cpuinfo
7. lscpu
8. numactl --hardware
9. /proc/meminfo
10. who -r
11. Systemd service manager version: systemd 249 (249.11+suse.124.g2bc0b2c447)
12. Services, from systemctl list-unit-files
13. Linux kernel boot-time arguments, from /proc/cmdline
14. cpupower frequency-info
15. sysctl
16. /sys/kernel/mm/transparent_hugepage

(Continued on next page)



SPEC CPU®2017 Floating Point Rate Result

Copyright 2017-2023 Standard Performance Evaluation Corporation

Dell Inc.

SPECrate®2017_fp_base = 572

PowerEdge R760xd2 (Intel Xeon Gold 6428N)

SPECrate®2017_fp_peak = 596

CPU2017 License: 6573
Test Sponsor: Dell Inc.
Tested by: Dell Inc.

Test Date: Mar-2023
Hardware Availability: Mar-2023
Software Availability: Dec-2022

Platform Notes (Continued)

```
17. /sys/kernel/mm/transparent_hugepage/khugepaged
18. OS release
19. Disk information
20. /sys/devices/virtual/dmi/id
21. dmidecode
22. BIOS
```

```
-----
1. uname -a
Linux localhost 5.14.21-150400.22-default #1 SMP PREEMPT_DYNAMIC Wed May 11 06:57:18 UTC 2022 (49db222/lp)
x86_64 x86_64 x86_64 GNU/Linux
```

```
-----
2. w
 04:15:31 up 4:51, 1 user, load average: 85.93, 117.37, 123.62
USER      TTY      FROM             LOGIN@   IDLE   JCPU   PCPU   WHAT
root      tty1    -                23:24   4:49m  1.42s  0.00s  /bin/bash ./dell-run-specrate.sh
--iterations 2 --output_format csv,html,pdf,txt -define Dell-BIOS-inc=Dell-BIOS_Xeon-4.inc
```

```
-----
3. Username
From environment variable $USER: root
```

```
-----
4. ulimit -a
core file size          (blocks, -c) unlimited
data seg size           (kbytes, -d) unlimited
scheduling priority     (-e) 0
file size                (blocks, -f) unlimited
pending signals         (-i) 4124454
max locked memory       (kbytes, -l) 64
max memory size         (kbytes, -m) unlimited
open files              (-n) 1024
pipe size                (512 bytes, -p) 8
POSIX message queues    (bytes, -q) 819200
real-time priority      (-r) 0
stack size              (kbytes, -s) unlimited
cpu time                (seconds, -t) unlimited
max user processes      (-u) 4124454
virtual memory          (kbytes, -v) unlimited
file locks              (-x) unlimited
```

```
-----
5. sysinfo process ancestry
/usr/lib/systemd/systemd --switched-root --system --deserialize 30
login -- root
-bash
/bin/bash ./DELL_rate.sh
/bin/bash ./dell-run-main.sh rate
/bin/bash ./dell-run-main.sh rate
/bin/bash ./dell-run-specrate.sh --iterations 2 --output_format csv,html,pdf,txt -define
Dell-BIOS-inc=Dell-BIOS_Xeon-4.inc
/bin/bash ./dell-run-specrate.sh --iterations 2 --output_format csv,html,pdf,txt -define
Dell-BIOS-inc=Dell-BIOS_Xeon-4.inc
runcpu --nobuild --action validate --define default-platform-flags --define numcopies=128 -c
ic2023.0-lin-sapphirerapids-rate-20221201.cfg --define smt-on --define cores=64 --define physicalfirst
--define invoke_with_interleave --define drop_caches --tune base,peak -o all --iterations 2
--output_format csv,html,pdf,txt -define Dell-BIOS-inc=Dell-BIOS_Xeon-4.inc fprate
runcpu --nobuild --action validate --define default-platform-flags --define numcopies=128 --configfile
```

(Continued on next page)



SPEC CPU®2017 Floating Point Rate Result

Copyright 2017-2023 Standard Performance Evaluation Corporation

Dell Inc.

SPECrate®2017_fp_base = 572

PowerEdge R760xd2 (Intel Xeon Gold 6428N)

SPECrate®2017_fp_peak = 596

CPU2017 License: 6573
Test Sponsor: Dell Inc.
Tested by: Dell Inc.

Test Date: Mar-2023
Hardware Availability: Mar-2023
Software Availability: Dec-2022

Platform Notes (Continued)

```
ic2023.0-lin-sapphirerapids-rate-20221201.cfg --define smt-on --define cores=64 --define physicalfirst
--define invoke_with_interleave --define drop_caches --tune base,peak --output_format all --iterations 2
--output_format csv,html,pdf,txt --define Dell-BIOS-inc=Dell-BIOS_Xeon-4.inc --nopower --runmode rate
--tune base:peak --size refrate fprate --nopreenv --note-preenv --logfile
$SPEC/tmp/CPU2017.002/templogs/preenv.fprate.002.0.log --lognum 002.0 --from_runcpu 2
specperl $SPEC/bin/sysinfo
$SPEC = /mnt/ramdisk/cpu2017-1.1.9-ic2023.0
```

```
-----
6. /proc/cpuinfo
model name      : Intel(R) Xeon(R) Gold 6428N
vendor_id      : GenuineIntel
cpu family     : 6
model          : 143
stepping       : 8
microcode      : 0x2b0001b0
bugs           : spectre_v1 spectre_v2 spec_store_bypass swapgs
cpu cores      : 32
siblings       : 64
2 physical ids (chips)
128 processors (hardware threads)
physical id 0: core ids 0-31
physical id 1: core ids 0-31
physical id 0: apicids 0-63
physical id 1: apicids 128-191
```

Caution: /proc/cpuinfo data regarding chips, cores, and threads is not necessarily reliable, especially for virtualized systems. Use the above data carefully.

7. lscpu

From lscpu from util-linux 2.37.2:

```
Architecture: x86_64
CPU op-mode(s): 32-bit, 64-bit
Address sizes: 46 bits physical, 57 bits virtual
Byte Order: Little Endian
CPU(s): 128
On-line CPU(s) list: 0-127
Vendor ID: GenuineIntel
Model name: Intel(R) Xeon(R) Gold 6428N
CPU family: 6
Model: 143
Thread(s) per core: 2
Core(s) per socket: 32
Socket(s): 2
Stepping: 8
BogoMIPS: 3600.00
Flags: fpu vme de pse tsc msr pae mce cx8 apic sep mtrr pge mca cmov pat pse36
clflush dts acpi mmx fxsr sse sse2 ss ht tm pbe syscall nx pdpe1gb rdtscp
lm constant_tsc art arch_perfmon pebs bts rep_good nopl xtopology
nonstop_tsc cpuid aperfmperf tsc_known_freq pni pclmulqdq dtes64 monitor
ds_cpl smx est tm2 ssse3 sdbg fma cx16 xtpr pdcm pcid dca sse4_1 sse4_2
x2apic movbe popcnt tsc_deadline_timer aes xsave avx f16c rdrand lahf_lm
abm 3dnowprefetch cpuid_fault epb cat_l3 cat_l2 cdp_l3 invpcid_single
cdp_l2 ssbd mba ibrs ibpb stibp ibrs_enhanced fsgsbase tsc_adjust bmi1 hle
avx2 smep bmi2 erms invpcid rtm cqm rdt_a avx512f avx512dq rdseed adx smap
avx512ifma clflushopt clwb intel_pt avx512cd sha_ni avx512bw avx512vl
xsaveopt xsavec xgetbv1 xsaves cqm_llc cqm_occup_llc cqm_mbm_total
cqm_mbm_local split_lock_detect avx_vnni avx512_bf16 wbnoinvd dtherm ida
arat pln pts avx512vbmi umip pku ospke waitpkg avx512_vbmi2 gfni vaes
```

(Continued on next page)



SPEC CPU®2017 Floating Point Rate Result

Copyright 2017-2023 Standard Performance Evaluation Corporation

Dell Inc.

SPECrate®2017_fp_base = 572

PowerEdge R760xd2 (Intel Xeon Gold 6428N)

SPECrate®2017_fp_peak = 596

CPU2017 License: 6573
Test Sponsor: Dell Inc.
Tested by: Dell Inc.

Test Date: Mar-2023
Hardware Availability: Mar-2023
Software Availability: Dec-2022

Platform Notes (Continued)

```
vpclmulqdq avx512_vnni avx512_bitalg tme avx512_vpopcntdq la57 rdpid
bus_lock_detect cldemote movdiri movdir64b enqcmd fsrm md_clear serialize
tsxldtrk pconfig arch_lbr avx512_fp16 amx_tile flush_llid arch_capabilities
```

```
L1d cache: 3 MiB (64 instances)
L1i cache: 2 MiB (64 instances)
L2 cache: 128 MiB (64 instances)
L3 cache: 120 MiB (2 instances)
NUMA node(s): 4
NUMA node0 CPU(s): 0-15,64-79
NUMA node1 CPU(s): 16-31,80-95
NUMA node2 CPU(s): 32-47,96-111
NUMA node3 CPU(s): 48-63,112-127
Vulnerability Itlb multihit: Not affected
Vulnerability Lltf: Not affected
Vulnerability Mds: Not affected
Vulnerability Meltdown: Not affected
Vulnerability Spec store bypass: Mitigation; Speculative Store Bypass disabled via prctl and seccomp
Vulnerability Spectre v1: Mitigation; usercopy/swapgs barriers and __user pointer sanitization
Vulnerability Spectre v2: Mitigation; Enhanced IBRS, IBPB conditional, RSB filling
Vulnerability Srbds: Not affected
Vulnerability Tsx async abort: Not affected
```

From lscpu --cache:

| NAME | ONE-SIZE | ALL-SIZE | WAYS | TYPE | LEVEL | SETS | PHY-LINE | COHERENCY-SIZE |
|------|----------|----------|------|-------------|-------|-------|----------|----------------|
| L1d | 48K | 3M | 12 | Data | 1 | 64 | 1 | 64 |
| L1i | 32K | 2M | 8 | Instruction | 1 | 64 | 1 | 64 |
| L2 | 2M | 128M | 16 | Unified | 2 | 2048 | 1 | 64 |
| L3 | 60M | 120M | 15 | Unified | 3 | 65536 | 1 | 64 |

8. numactl --hardware

NOTE: a numactl 'node' might or might not correspond to a physical chip.

```
available: 4 nodes (0-3)
node 0 cpus: 0-15,64-79
node 0 size: 257385 MB
node 0 free: 239684 MB
node 1 cpus: 16-31,80-95
node 1 size: 258039 MB
node 1 free: 245200 MB
node 2 cpus: 32-47,96-111
node 2 size: 258039 MB
node 2 free: 244687 MB
node 3 cpus: 48-63,112-127
node 3 size: 257672 MB
node 3 free: 235901 MB
node distances:
node  0  1  2  3
 0:  10  12  21  21
 1:  12  10  21  21
 2:  21  21  10  12
 3:  21  21  12  10
```

9. /proc/meminfo

```
MemTotal: 1055885800 kB
```

10. who -r

```
run-level 3 Mar 27 23:24
```

(Continued on next page)



SPEC CPU®2017 Floating Point Rate Result

Copyright 2017-2023 Standard Performance Evaluation Corporation

Dell Inc.

SPECrate®2017_fp_base = 572

PowerEdge R760xd2 (Intel Xeon Gold 6428N)

SPECrate®2017_fp_peak = 596

CPU2017 License: 6573
Test Sponsor: Dell Inc.
Tested by: Dell Inc.

Test Date: Mar-2023
Hardware Availability: Mar-2023
Software Availability: Dec-2022

Platform Notes (Continued)

11. Systemd service manager version: systemd 249 (249.11+suse.124.g2bc0b2c447)
Default Target Status
multi-user running

12. Services, from systemctl list-unit-files
STATE UNIT FILES
enabled YaST2-Firstboot YaST2-Second-Stage apparmor auditd bluetooth cron display-manager
firewalld getty@ haveged irqbalance iscsi issue-generator kbdsettings kdump kdump-early
klog libvirtd lvm2-monitor nscd nvme-fc-boot-connections oracle postfix purge-kernels
rollback rsyslog smartd sshd wicked wickedd-auto4 wickedd-dhcp4 wickedd-dhcp6
wickedd-nanny xencommons
enabled-runtime systemd-remount-fs
disabled accounts-daemon amavis apache2 apache2@ appstream-sync-cache autofs autoyast-initscripts
bgpd blk-availability bluetooth-mesh boot-sysctl ca-certificates chrony-wait chronyd
clamav-milter clamd console-getty cups cups-browsed ddclient debug-shell dhcpd dhcpd6
dhcrelay dhcrelay6 dirsrv@ dnsmasq ebttables exchange-bmc-os-info fetchmail freshclam gpm
grub2-once haveged-switch-root hwloc-dump-hwdata instsvcdrv ipmi ipmievd iscsi-init iscsid
iscsiuio isisd issue-add-ssh-keys kexec-load ksm kvm_stat libvirt-guests lunmask
man-db-create mariadb mariadb@ multipathd named nfs nfs-blkmap nfs-server nfs-server
nvmf-autoconnect ospf6d ospfd ostree-remount racoon racoon-setkey radvd rarpd@ rdisc ripd
ripngd rpcbnd rpmconfigcheck rsyncd rtkit-daemon sapconf serial-getty@
smartd_generate_opts smb snmpd snmptrapd spamd spampd speech-dispatcherd squid srp_daemon
srp_daemon_port@ strongswan strongswan-starter svnserv sysstat
systemd-boot-check-no-failures systemd-network-generator systemd-nspawn@ systemd-sysex
systemd-time-wait-sync systemd-timesyncd tcsd udisks2 upower virtinterfaced virtnetworkd
virtnodedevd virtnwfilterd virtproxid virtqemu virtsecret virtstoraged virtxend vsftpd
winbind xen-dom0-modules xen-init-dom0 xen-gemu-dom0-disk-backend xen-watchdog xenconsoled
xendomains xenstored zebra
indirect pcsd uidd virtlockd virtlogd wickedd

13. Linux kernel boot-time arguments, from /proc/cmdline
BOOT_IMAGE=/boot/vmlinuz-5.14.21-150400.22-default
root=UUID=35458c4c-5e83-48b0-808c-9f9263c843b9
splash=silent
mitigations=auto
quiet
security=apparmor
crashkernel=320M,high
crashkernel=72M,low

14. cpupower frequency-info
analyzing CPU 0:
Unable to determine current policy
boost state support:
Supported: yes
Active: yes

15. sysctl
kernel.numa_balancing 1
kernel.randomize_va_space 2
vm.compaction_proactiveness 20
vm.dirty_background_bytes 0
vm.dirty_background_ratio 10
vm.dirty_bytes 0
vm.dirty_expire_centisecs 3000

(Continued on next page)



SPEC CPU®2017 Floating Point Rate Result

Copyright 2017-2023 Standard Performance Evaluation Corporation

Dell Inc.

SPECrate®2017_fp_base = 572

PowerEdge R760xd2 (Intel Xeon Gold 6428N)

SPECrate®2017_fp_peak = 596

CPU2017 License: 6573

Test Sponsor: Dell Inc.

Tested by: Dell Inc.

Test Date: Mar-2023

Hardware Availability: Mar-2023

Software Availability: Dec-2022

Platform Notes (Continued)

```

vm.dirty_ratio                20
vm.dirty_writeback_centisecs  500
vm.dirtytime_expire_seconds  43200
vm.extfrag_threshold          500
vm.min_unmapped_ratio         1
vm.nr_hugepages                0
vm.nr_hugepages_mempolicy     0
vm.nr_overcommit_hugepages    0
vm.swappiness                  20
vm.watermark_boost_factor     15000
vm.watermark_scale_factor     10
vm.zone_reclaim_mode          0

```

```

-----
16. /sys/kernel/mm/transparent_hugepage
defrag          always defer defer+madvise [madvise] never
enabled         [always] madvise never
hpage_pmd_size  2097152
shmem_enabled   always within_size advise [never] deny force

```

```

-----
17. /sys/kernel/mm/transparent_hugepage/khugepaged
alloc_sleep_millisecs  60000
defrag                  1
max_ptes_none           511
max_ptes_shared         256
max_ptes_swap           64
pages_to_scan           4096
scan_sleep_millisecs   10000

```

```

-----
18. OS release
From /etc/*-release /etc/*-version
os-release SUSE Linux Enterprise Server 15 SP4

```

```

-----
19. Disk information
SPEC is set to: /mnt/ramdisk/cpu2017-1.1.9-ic2023.0
Filesystem      Type  Size  Used Avail Use% Mounted on
tmpfs            tmpfs 125G  55G  71G  44% /mnt/ramdisk

```

```

-----
20. /sys/devices/virtual/dmi/id
Vendor:          Dell Inc.
Product:         PowerEdge R760xd2
Product Family: PowerEdge
Serial:          DULAC01

```

```

-----
21. dmidecode
Additional information from dmidecode 3.2 follows.  WARNING: Use caution when you interpret this section.
The 'dmidecode' program reads system data which is "intended to allow hardware to be accurately
determined", but the intent may not be met, as there are frequent changes to hardware, firmware, and the
"DMTF SMBIOS" standard.
Memory:
4x 002C0632002C MTC40F2046S1RC48BA1 64 GB 2 rank 4800, configured at 4000
4x 002C069D002C MTC40F2046S1RC48BA1 64 GB 2 rank 4800, configured at 4000
8x 00CE069D00CE M321R8GA0BB0-CQKVE 64 GB 2 rank 4800, configured at 4000

```

(Continued on next page)



SPEC CPU®2017 Floating Point Rate Result

Copyright 2017-2023 Standard Performance Evaluation Corporation

Dell Inc.

SPECrate®2017_fp_base = 572

PowerEdge R760xd2 (Intel Xeon Gold 6428N)

SPECrate®2017_fp_peak = 596

CPU2017 License: 6573
Test Sponsor: Dell Inc.
Tested by: Dell Inc.

Test Date: Mar-2023
Hardware Availability: Mar-2023
Software Availability: Dec-2022

Platform Notes (Continued)

22. BIOS
(This section combines info from /sys/devices and dmidecode.)
BIOS Vendor: Dell Inc.
BIOS Version: 1.0.1
BIOS Date: 03/09/2023
BIOS Revision: 1.0

Compiler Version Notes

=====
C | 519.lbm_r(base, peak) 538.imagick_r(base, peak) 544.nab_r(base, peak)
=====

Intel(R) oneAPI DPC++/C++ Compiler for applications running on Intel(R) 64, Version 2023.0.0 Build 20221201
Copyright (C) 1985-2022 Intel Corporation. All rights reserved.
=====

=====
C++ | 508.namd_r(base, peak) 510.parest_r(base, peak)
=====

Intel(R) oneAPI DPC++/C++ Compiler for applications running on Intel(R) 64, Version 2023.0.0 Build 20221201
Copyright (C) 1985-2022 Intel Corporation. All rights reserved.
=====

=====
C++, C | 511.povray_r(base, peak) 526.blender_r(base, peak)
=====

Intel(R) oneAPI DPC++/C++ Compiler for applications running on Intel(R) 64, Version 2023.0.0 Build 20221201
Copyright (C) 1985-2022 Intel Corporation. All rights reserved.
Intel(R) oneAPI DPC++/C++ Compiler for applications running on Intel(R) 64, Version 2023.0.0 Build 20221201
Copyright (C) 1985-2022 Intel Corporation. All rights reserved.
=====

=====
C++, C, Fortran | 507.cactuBSSN_r(base, peak)
=====

Intel(R) oneAPI DPC++/C++ Compiler for applications running on Intel(R) 64, Version 2023.0.0 Build 20221201
Copyright (C) 1985-2022 Intel Corporation. All rights reserved.
Intel(R) oneAPI DPC++/C++ Compiler for applications running on Intel(R) 64, Version 2023.0.0 Build 20221201
Copyright (C) 1985-2022 Intel Corporation. All rights reserved.
Intel(R) Fortran Compiler for applications running on Intel(R) 64, Version 2023.0.0 Build 20221201
Copyright (C) 1985-2022 Intel Corporation. All rights reserved.
=====

=====
Fortran | 503.bwaves_r(base, peak) 549.fotonik3d_r(base, peak) 554.roms_r(base, peak)
=====

Intel(R) Fortran Compiler for applications running on Intel(R) 64, Version 2023.0.0 Build 20221201
Copyright (C) 1985-2022 Intel Corporation. All rights reserved.
=====

=====
Fortran, C | 521.wrf_r(base, peak) 527.cam4_r(base, peak)
=====

Intel(R) Fortran Compiler for applications running on Intel(R) 64, Version 2023.0.0 Build 20221201
Copyright (C) 1985-2022 Intel Corporation. All rights reserved.
Intel(R) oneAPI DPC++/C++ Compiler for applications running on Intel(R) 64, Version 2023.0.0 Build 20221201
Copyright (C) 1985-2022 Intel Corporation. All rights reserved.
=====



SPEC CPU®2017 Floating Point Rate Result

Copyright 2017-2023 Standard Performance Evaluation Corporation

Dell Inc.

SPECrate®2017_fp_base = 572

PowerEdge R760xd2 (Intel Xeon Gold 6428N)

SPECrate®2017_fp_peak = 596

CPU2017 License: 6573
Test Sponsor: Dell Inc.
Tested by: Dell Inc.

Test Date: Mar-2023
Hardware Availability: Mar-2023
Software Availability: Dec-2022

Base Compiler Invocation

C benchmarks:

icx

C++ benchmarks:

icpx

Fortran benchmarks:

ifx

Benchmarks using both Fortran and C:

ifx icx

Benchmarks using both C and C++:

icpx icx

Benchmarks using Fortran, C, and C++:

icpx icx ifx

Base Portability Flags

503.bwaves_r: -DSPEC_LP64
507.cactuBSSN_r: -DSPEC_LP64
508.namd_r: -DSPEC_LP64
510.parest_r: -DSPEC_LP64
511.povray_r: -DSPEC_LP64
519.lbm_r: -DSPEC_LP64
521.wrf_r: -DSPEC_LP64 -DSPEC_CASE_FLAG -convert big_endian
526.blender_r: -DSPEC_LP64 -DSPEC_LINUX -funsigned-char
527.cam4_r: -DSPEC_LP64 -DSPEC_CASE_FLAG
538.imagick_r: -DSPEC_LP64
544.nab_r: -DSPEC_LP64
549.fotonik3d_r: -DSPEC_LP64
554.roms_r: -DSPEC_LP64

Base Optimization Flags

C benchmarks:

-w -std=c11 -m64 -Wl,-z,muldefs -xsapphirerapids -Ofast -ffast-math
-flto -mfpmath=sse -funroll-loops -qopt-mem-layout-trans=4
-Wno-implicit-int -mprefer-vector-width=512 -ljemalloc
-L/usr/local/jemalloc64-5.0.1/lib

(Continued on next page)



SPEC CPU®2017 Floating Point Rate Result

Copyright 2017-2023 Standard Performance Evaluation Corporation

Dell Inc.

SPECrate®2017_fp_base = 572

PowerEdge R760xd2 (Intel Xeon Gold 6428N)

SPECrate®2017_fp_peak = 596

CPU2017 License: 6573

Test Sponsor: Dell Inc.

Tested by: Dell Inc.

Test Date: Mar-2023

Hardware Availability: Mar-2023

Software Availability: Dec-2022

Base Optimization Flags (Continued)

C++ benchmarks:

```
-w -std=c++14 -m64 -Wl,-z,muldefs -xsapphirerapids -Ofast
-ffast-math -flto -mfpmath=sse -funroll-loops
-qopt-mem-layout-trans=4 -mprefer-vector-width=512 -ljemalloc
-L/usr/local/jemalloc64-5.0.1/lib
```

Fortran benchmarks:

```
-w -m64 -Wl,-z,muldefs -xsapphirerapids -Ofast -ffast-math -flto
-mfpmath=sse -funroll-loops -qopt-mem-layout-trans=4
-nostandard-realloc-lhs -align array32byte -auto -ljemalloc
-L/usr/local/jemalloc64-5.0.1/lib
```

Benchmarks using both Fortran and C:

```
-w -m64 -std=c11 -Wl,-z,muldefs -xsapphirerapids -Ofast -ffast-math
-flto -mfpmath=sse -funroll-loops -qopt-mem-layout-trans=4
-Wno-implicit-int -mprefer-vector-width=512 -nostandard-realloc-lhs
-align array32byte -auto -ljemalloc -L/usr/local/jemalloc64-5.0.1/lib
```

Benchmarks using both C and C++:

```
-w -std=c++14 -m64 -std=c11 -Wl,-z,muldefs -xsapphirerapids -Ofast
-ffast-math -flto -mfpmath=sse -funroll-loops
-qopt-mem-layout-trans=4 -Wno-implicit-int -mprefer-vector-width=512
-ljemalloc -L/usr/local/jemalloc64-5.0.1/lib
```

Benchmarks using Fortran, C, and C++:

```
-w -m64 -std=c++14 -std=c11 -Wl,-z,muldefs -xsapphirerapids -Ofast
-ffast-math -flto -mfpmath=sse -funroll-loops
-qopt-mem-layout-trans=4 -Wno-implicit-int -mprefer-vector-width=512
-nostandard-realloc-lhs -align array32byte -auto -ljemalloc
-L/usr/local/jemalloc64-5.0.1/lib
```

Peak Compiler Invocation

C benchmarks:

```
icx
```

C++ benchmarks:

```
icpx
```

Fortran benchmarks:

```
ifx
```

Benchmarks using both Fortran and C:

```
ifx icx
```

(Continued on next page)



SPEC CPU®2017 Floating Point Rate Result

Copyright 2017-2023 Standard Performance Evaluation Corporation

Dell Inc.

SPECrate®2017_fp_base = 572

PowerEdge R760xd2 (Intel Xeon Gold 6428N)

SPECrate®2017_fp_peak = 596

CPU2017 License: 6573

Test Sponsor: Dell Inc.

Tested by: Dell Inc.

Test Date: Mar-2023

Hardware Availability: Mar-2023

Software Availability: Dec-2022

Peak Compiler Invocation (Continued)

Benchmarks using both C and C++:

icpx icx

Benchmarks using Fortran, C, and C++:

icpx icx ifx

Peak Portability Flags

Same as Base Portability Flags

Peak Optimization Flags

C benchmarks:

519.lbm_r: basepeak = yes

538.imagick_r: basepeak = yes

544.nab_r: basepeak = yes

C++ benchmarks:

508.namd_r: basepeak = yes

510.parest_r: -w -std=c++14 -m64 -Wl,-z,muldefs -xsapphirerapids -Ofast -ffast-math -flto -mfpmath=sse -funroll-loops -qopt-mem-layout-trans=4 -mprefer-vector-width=512 -ljemalloc -L/usr/local/jemalloc64-5.0.1/lib

Fortran benchmarks:

503.bwaves_r: basepeak = yes

549.fotonik3d_r: basepeak = yes

554.roms_r: -w -m64 -Wl,-z,muldefs -xsapphirerapids -Ofast -ffast-math -flto -mfpmath=sse -funroll-loops -qopt-mem-layout-trans=4 -nostandard-realloc-lhs -align array32byte -auto -ljemalloc -L/usr/local/jemalloc64-5.0.1/lib

(Continued on next page)



SPEC CPU®2017 Floating Point Rate Result

Copyright 2017-2023 Standard Performance Evaluation Corporation

Dell Inc.

SPECrate®2017_fp_base = 572

PowerEdge R760xd2 (Intel Xeon Gold 6428N)

SPECrate®2017_fp_peak = 596

CPU2017 License: 6573

Test Sponsor: Dell Inc.

Tested by: Dell Inc.

Test Date: Mar-2023

Hardware Availability: Mar-2023

Software Availability: Dec-2022

Peak Optimization Flags (Continued)

Benchmarks using both Fortran and C:

```
521.wrf_r: -w -m64 -std=c11 -Wl,-z,muldefs -xsapphirerapids -Ofast
-ffast-math -flto -mfpmath=sse -funroll-loops
-qopt-mem-layout-trans=4 -Wno-implicit-int
-mprefer-vector-width=512 -nostandard-realloc-lhs
-align array32byte -auto -ljemalloc
-L/usr/local/jemalloc64-5.0.1/lib
```

527.cam4_r: basepeak = yes

Benchmarks using both C and C++:

```
511.povray_r: -w -std=c++14 -m64 -std=c11 -Wl,-z,muldefs
-fprofile-generate(pass 1)
-fprofile-use=default.profddata(pass 2) -xCORE-AVX2(pass 1)
-flto -Ofast -xCORE-AVX512 -ffast-math -mfpmath=sse
-funroll-loops -qopt-mem-layout-trans=4 -Wno-implicit-int
-mprefer-vector-width=512 -ljemalloc
-L/usr/local/jemalloc64-5.0.1/lib
```

526.blender_r: basepeak = yes

Benchmarks using Fortran, C, and C++:

```
-w -m64 -std=c++14 -std=c11 -Wl,-z,muldefs -xsapphirerapids -Ofast
-ffast-math -flto -mfpmath=sse -funroll-loops
-qopt-mem-layout-trans=4 -Wno-implicit-int -mprefer-vector-width=512
-nostandard-realloc-lhs -align array32byte -auto -ljemalloc
-L/usr/local/jemalloc64-5.0.1/lib
```

The flags files that were used to format this result can be browsed at

<http://www.spec.org/cpu2017/flags/Intel-ic2023-official-linux64.html>

<http://www.spec.org/cpu2017/flags/Dell-Platform-Flags-PowerEdge-Intel-Xeon-v1.3.html>

You can also download the XML flags sources by saving the following links:

<http://www.spec.org/cpu2017/flags/Intel-ic2023-official-linux64.xml>

<http://www.spec.org/cpu2017/flags/Dell-Platform-Flags-PowerEdge-Intel-Xeon-v1.3.xml>



SPEC CPU®2017 Floating Point Rate Result

Copyright 2017-2023 Standard Performance Evaluation Corporation

Dell Inc.

SPECrate®2017_fp_base = 572

PowerEdge R760xd2 (Intel Xeon Gold 6428N)

SPECrate®2017_fp_peak = 596

CPU2017 License: 6573

Test Sponsor: Dell Inc.

Tested by: Dell Inc.

Test Date: Mar-2023

Hardware Availability: Mar-2023

Software Availability: Dec-2022

SPEC CPU and SPECrate are registered trademarks of the Standard Performance Evaluation Corporation. All other brand and product names appearing in this result are trademarks or registered trademarks of their respective holders.

For questions about this result, please contact the tester. For other inquiries, please contact info@spec.org.

Tested with SPEC CPU®2017 v1.1.9 on 2023-03-27 16:15:31-0400.

Report generated on 2023-04-26 10:21:14 by CPU2017 PDF formatter v6716.

Originally published on 2023-04-26.