



SPEC CPU®2017 Floating Point Rate Result

Copyright 2017-2023 Standard Performance Evaluation Corporation

Dell Inc.

SPECrate®2017_fp_base = 272

PowerEdge T560 (Intel Xeon Gold 5412U)

SPECrate®2017_fp_peak = 282

CPU2017 License: 6573

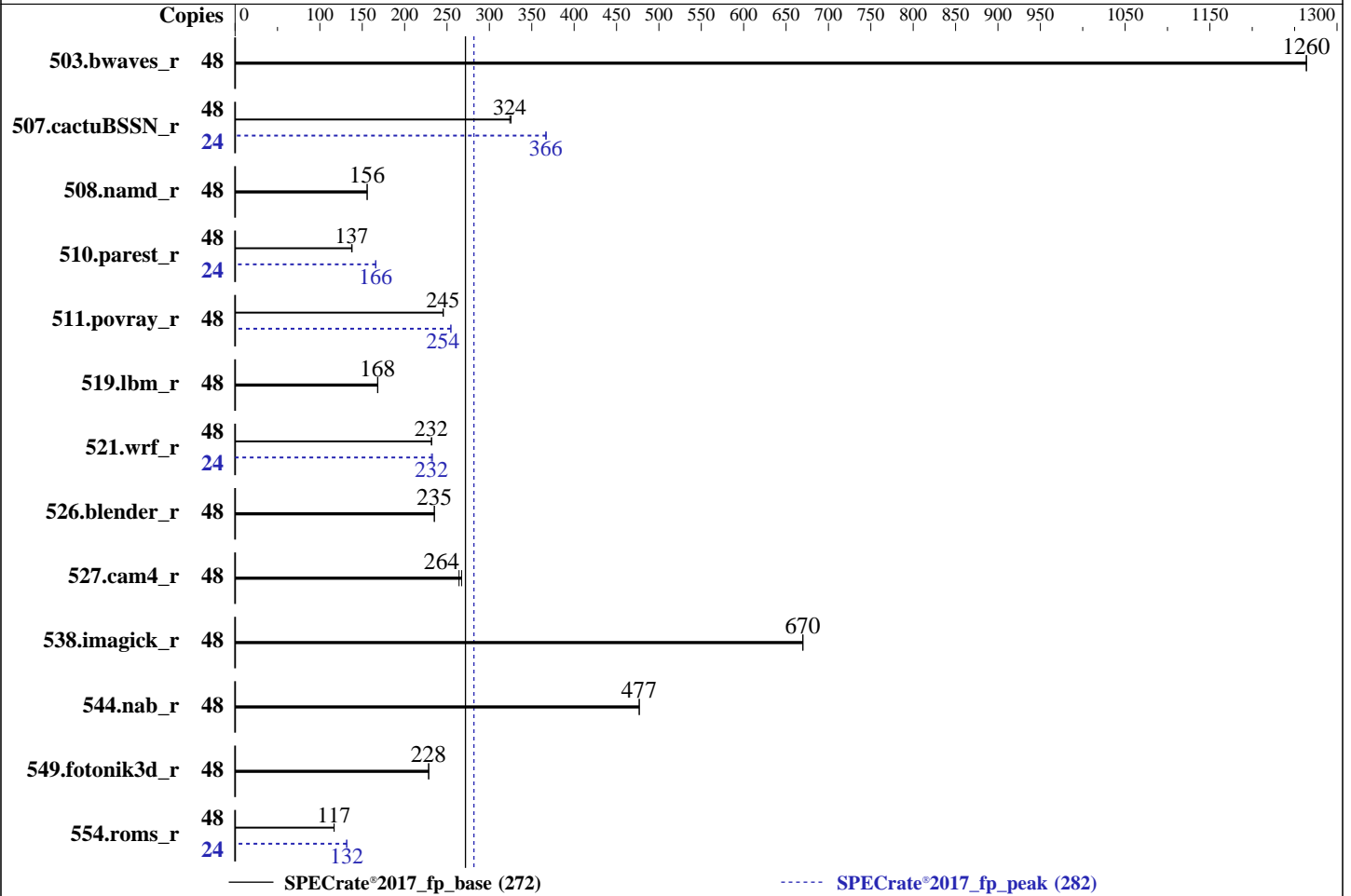
Test Date: Mar-2023

Test Sponsor: Dell Inc.

Hardware Availability: Mar-2023

Tested by: Dell Inc.

Software Availability: Dec-2022



Hardware

CPU Name: Intel Xeon Gold 5412U
 Max MHz: 3900
 Nominal: 2100
 Enabled: 24 cores, 1 chip, 2 threads/core
 Orderable: 1 chip
 Cache L1: 32 KB I + 48 KB D on chip per core
 L2: 2 MB I+D on chip per core
 L3: 45 MB I+D on chip per chip
 Other: None
 Memory: 512 GB (8 x 64 GB 2Rx4 PC5-4800B-R, running at 4400)
 Storage: 125 GB on tmpfs
 Other: None

Software

OS: SUSE Linux Enterprise Server 15 SP4 5.14.21-150400.22-default
 Compiler: C/C++: Version 2023.0 of Intel oneAPI DPC++/C++ Compiler for Linux;
 Fortran: Version 2023.0 of Intel Fortran Compiler for Linux;
 Parallel: No
 Firmware: Version 1.0.1 released Mar-2023
 File System: tmpfs
 System State: Run level 3 (multi-user)
 Base Pointers: 64-bit
 Peak Pointers: 64-bit
 Other: jemalloc memory allocator V5.0.1
 Power Management: BIOS and OS set to prefer performance at the cost of additional power usage.



SPEC CPU®2017 Floating Point Rate Result

Copyright 2017-2023 Standard Performance Evaluation Corporation

Dell Inc.

SPECrate®2017_fp_base = 272

PowerEdge T560 (Intel Xeon Gold 5412U)

SPECrate®2017_fp_peak = 282

CPU2017 License: 6573
Test Sponsor: Dell Inc.
Tested by: Dell Inc.

Test Date: Mar-2023
Hardware Availability: Mar-2023
Software Availability: Dec-2022

Results Table

Benchmark	Base							Peak						
	Copies	Seconds	Ratio	Seconds	Ratio	Seconds	Ratio	Copies	Seconds	Ratio	Seconds	Ratio	Seconds	Ratio
503.bwaves_r	48	<u>381</u>	<u>1260</u>	381	1260			48	<u>381</u>	<u>1260</u>	381	1260		
507.cactuBSSN_r	48	<u>187</u>	<u>324</u>	187	325			24	<u>82.9</u>	<u>366</u>	82.8	367		
508.namd_r	48	<u>293</u>	<u>156</u>	293	156			48	<u>293</u>	<u>156</u>	293	156		
510.parest_r	48	910	138	<u>914</u>	<u>137</u>			24	378	166	<u>379</u>	<u>166</u>		
511.povray_r	48	456	246	<u>457</u>	<u>245</u>			48	440	255	<u>440</u>	<u>254</u>		
519.lbm_r	48	300	168	<u>301</u>	<u>168</u>			48	300	168	<u>301</u>	<u>168</u>		
521.wrf_r	48	464	232	<u>464</u>	<u>232</u>			24	231	233	<u>232</u>	<u>232</u>		
526.blender_r	48	311	235	<u>311</u>	<u>235</u>			48	311	235	<u>311</u>	<u>235</u>		
527.cam4_r	48	<u>318</u>	<u>264</u>	314	267			48	<u>318</u>	<u>264</u>	314	267		
538.imagick_r	48	178	670	<u>178</u>	<u>670</u>			48	178	670	<u>178</u>	<u>670</u>		
544.nab_r	48	<u>169</u>	<u>477</u>	169	477			48	<u>169</u>	<u>477</u>	169	477		
549.fotonik3d_r	48	<u>820</u>	<u>228</u>	819	229			48	<u>820</u>	<u>228</u>	819	229		
554.roms_r	48	<u>653</u>	<u>117</u>	653	117			24	<u>290</u>	<u>132</u>	290	132		

SPECrate®2017_fp_base = **272**

SPECrate®2017_fp_peak = **282**

Results appear in the order in which they were run. Bold underlined text indicates a median measurement.

Submit Notes

The numactl mechanism was used to bind copies to processors. The config file option 'submit' was used to generate numactl commands to bind each copy to a specific processor. For details, please see the config file.

Operating System Notes

Stack size set to unlimited using "ulimit -s unlimited"

Environment Variables Notes

Environment variables set by runcpu before the start of the run:

```
LD_LIBRARY_PATH =
    "/mnt/ramdisk/cpu2017-1.1.9-ic2023.0/lib/intel64:/mnt/ramdisk/cpu2017-1.1.9-ic2023.0/je5.0.1-64"
MALLOCCONF = "retain:true"
```

General Notes

Binaries compiled on a system with 2x Intel Xeon Platinum 8280M CPU + 384GB RAM memory using Red Hat Enterprise Linux 8.4
Transparent Huge Pages enabled by default
Prior to runcpu invocation
Filesystem page cache synced and cleared with:
sync; echo 3> /proc/sys/vm/drop_caches
runcpu command invoked through numactl i.e.:
numactl --interleave=all runcpu <etc>
jemalloc, a general purpose malloc implementation

(Continued on next page)



SPEC CPU®2017 Floating Point Rate Result

Copyright 2017-2023 Standard Performance Evaluation Corporation

Dell Inc.

SPECrate®2017_fp_base = 272

PowerEdge T560 (Intel Xeon Gold 5412U)

SPECrate®2017_fp_peak = 282

CPU2017 License: 6573

Test Sponsor: Dell Inc.

Tested by: Dell Inc.

Test Date: Mar-2023

Hardware Availability: Mar-2023

Software Availability: Dec-2022

General Notes (Continued)

built with the RedHat Enterprise 7.5, and the system compiler gcc 4.8.5
sources available from jemalloc.net or <https://github.com/jemalloc/jemalloc/releases>

NA: The test sponsor attests, as of date of publication, that CVE-2017-5754 (Meltdown) is mitigated in the system as tested and documented.

Yes: The test sponsor attests, as of date of publication, that CVE-2017-5753 (Spectre variant 1) is mitigated in the system as tested and documented.

Yes: The test sponsor attests, as of date of publication, that CVE-2017-5715 (Spectre variant 2) is mitigated in the system as tested and documented.

Benchmark run from a 125 GB ramdisk created with the cmd: "mount -t tmpfs -o size=125G tmpfs /mnt/ramdisk"

Platform Notes

BIOS settings:

```

    ADDDC Setting : Disabled
    DIMM Self Healing on
    Uncorrectable Memory Error : Disabled
    Virtualization Technology : Disabled
    DCU Streamer Prefetcher : Disabled
    Sub NUMA Cluster : 2-way Clustering
    LLC Prefetch : Disabled
    Dead Line LLC Alloc : Disabled

    System Profile : Custom
    CPU Power Management : Maximum Performance
    CIE : Disabled
    C States : Autonomous
    Memory Patrol Scrub : Disabled
    Energy Efficiency Policy : Performance
    PCI ASPM L1 Link
    Power Management : Disabled

```

Sysinfo program /mnt/ramdisk/cpu2017-1.1.9-ic2023.0/bin/sysinfo
Rev: r6732 of 2022-11-07 fe91c89b7ed5c36ae2c92cc097bec197
running on localhost Thu Mar 23 05:09:27 2023

SUT (System Under Test) info as seen by some common utilities.

Table of contents

1. uname -a
2. w
3. Username
4. ulimit -a
5. sysinfo process ancestry
6. /proc/cpuinfo
7. lscpu
8. numactl --hardware
9. /proc/meminfo
10. who -r
11. Systemd service manager version: systemd 249 (249.11+suse.124.g2bc0b2c447)
12. Services, from systemctl list-unit-files
13. Linux kernel boot-time arguments, from /proc/cmdline
14. cpupower frequency-info
15. sysctl
16. /sys/kernel/mm/transparent_hugepage

(Continued on next page)



SPEC CPU®2017 Floating Point Rate Result

Copyright 2017-2023 Standard Performance Evaluation Corporation

Dell Inc.

SPECrate®2017_fp_base = 272

PowerEdge T560 (Intel Xeon Gold 5412U)

SPECrate®2017_fp_peak = 282

CPU2017 License: 6573
Test Sponsor: Dell Inc.
Tested by: Dell Inc.

Test Date: Mar-2023
Hardware Availability: Mar-2023
Software Availability: Dec-2022

Platform Notes (Continued)

```
17. /sys/kernel/mm/transparent_hugepage/khugepaged
18. OS release
19. Disk information
20. /sys/devices/virtual/dmi/id
21. dmidecode
22. BIOS
```

```
1. uname -a
Linux localhost 5.14.21-150400.22-default #1 SMP PREEMPT_DYNAMIC Wed May 11 06:57:18 UTC 2022 (49db222/lp)
x86_64 x86_64 x86_64 GNU/Linux
```

```
2. w
05:09:27 up 4:10, 1 user, load average: 31.77, 43.90, 46.30
USER TTY FROM LOGIN@ IDLE JCPU PCPU WHAT
root tty1 - 00:59 4:08m 1.25s 0.00s /bin/bash ./dell-run-specrate.sh
--iterations 2 --output_format csv,html,pdf,txt -define Dell-BIOS-inc=Dell-BIOS_Xeon-4.inc
```

```
3. Username
From environment variable $USER: root
```

```
4. ulimit -a
core file size (blocks, -c) unlimited
data seg size (kbytes, -d) unlimited
scheduling priority (-e) 0
file size (blocks, -f) unlimited
pending signals (-i) 2060259
max locked memory (kbytes, -l) 64
max memory size (kbytes, -m) unlimited
open files (-n) 1024
pipe size (512 bytes, -p) 8
POSIX message queues (bytes, -q) 819200
real-time priority (-r) 0
stack size (kbytes, -s) unlimited
cpu time (seconds, -t) unlimited
max user processes (-u) 2060259
virtual memory (kbytes, -v) unlimited
file locks (-x) unlimited
```

```
5. sysinfo process ancestry
/usr/lib/systemd/systemd --switched-root --system --deserialize 30
login -- root
-bash
/bin/bash ./DELL_rate.sh
/bin/bash ./dell-run-main.sh rate
/bin/bash ./dell-run-main.sh rate
/bin/bash ./dell-run-specrate.sh --iterations 2 --output_format csv,html,pdf,txt -define
Dell-BIOS-inc=Dell-BIOS_Xeon-4.inc
/bin/bash ./dell-run-specrate.sh --iterations 2 --output_format csv,html,pdf,txt -define
Dell-BIOS-inc=Dell-BIOS_Xeon-4.inc
runcpu --nobuild --action validate --define default-platform-flags --define numcopies=48 -c
ic2023.0-lin-sapphirerapids-rate-20221201.cfg --define smt-on --define cores=24 --define physicalfirst
--define invoke_with_interleave --define drop_caches --tune base,peak -o all --iterations 2
--output_format csv,html,pdf,txt -define Dell-BIOS-inc=Dell-BIOS_Xeon-4.inc fprate
runcpu --nobuild --action validate --define default-platform-flags --define numcopies=48 --configfile
```

(Continued on next page)



SPEC CPU®2017 Floating Point Rate Result

Copyright 2017-2023 Standard Performance Evaluation Corporation

Dell Inc.

SPECrate®2017_fp_base = 272

PowerEdge T560 (Intel Xeon Gold 5412U)

SPECrate®2017_fp_peak = 282

CPU2017 License: 6573
Test Sponsor: Dell Inc.
Tested by: Dell Inc.

Test Date: Mar-2023
Hardware Availability: Mar-2023
Software Availability: Dec-2022

Platform Notes (Continued)

```
ic2023.0-lin-sapphirerapids-rate-20221201.cfg --define smt-on --define cores=24 --define physicalfirst
--define invoke_with_interleave --define drop_caches --tune base,peak --output_format all --iterations 2
--output_format csv,html,pdf,txt --define Dell-BIOS-inc=Dell-BIOS_Xeon-4.inc --nopower --runmode rate
--tune base:peak --size refrate fprate --nopreenv --note-preenv --logfile
$SPEC/tmp/CPU2017.002/temlogs/preenv.fprate.002.0.log --lognum 002.0 --from_runcpu 2
specperl $SPEC/bin/sysinfo
$SPEC = /mnt/ramdisk/cpu2017-1.1.9-ic2023.0
```

6. /proc/cpuinfo

```
model name      : Intel(R) Xeon(R) Gold 5412U
vendor_id      : GenuineIntel
cpu family     : 6
model          : 143
stepping       : 8
microcode      : 0x2b0001b0
bugs           : spectre_v1 spectre_v2 spec_store_bypass swapgs
cpu cores      : 24
siblings       : 48
1 physical ids (chips)
48 processors (hardware threads)
physical id 0: core ids 0-23
physical id 0: apicids 0-47
```

Caution: /proc/cpuinfo data regarding chips, cores, and threads is not necessarily reliable, especially for virtualized systems. Use the above data carefully.

7. lscpu

From lscpu from util-linux 2.37.2:

```
Architecture:      x86_64
CPU op-mode(s):    32-bit, 64-bit
Address sizes:      46 bits physical, 57 bits virtual
Byte Order:        Little Endian
CPU(s):            48
On-line CPU(s) list: 0-47
Vendor ID:         GenuineIntel
Model name:        Intel(R) Xeon(R) Gold 5412U
CPU family:        6
Model:            143
Thread(s) per core: 2
Core(s) per socket: 24
Socket(s):         1
Stepping:          8
BogoMIPS:          4200.00
Flags:             fpu vme de pse tsc msr pae mce cx8 apic sep mtrr pge mca cmov pat pse36
clflush dts acpi mmx fxsr sse sse2 ss ht tm pbe syscall nx pdpe1gb rdtscp
lm constant_tsc art arch_perfmon pebs bts rep_good nopl xtopology
nonstop_tsc cpuid aperfmperf tsc_known_freq pni pclmulqdq dtes64 monitor
ds_cpl smx est tm2 ssse3 sdbg fma cx16 xtpr pdcm pcid dca sse4_1 sse4_2
x2apic movbe popcnt tsc_deadline_timer aes xsave avx f16c rdrand lahf_lm
abm 3dnowprefetch cpuid_fault epb cat_l3 cat_l2 cdp_l3 invpcid_single
cdp_l2 ssbd mba ibrs ibpb stibp ibrs_enhanced fsgsbase tsc_adjust bmi1 hle
avx2 smep bmi2 erms invpcid rtm cqm rdt_a avx512f avx512dq rdseed adx smap
avx512ifma clflushopt clwb intel_pt avx512cd sha_ni avx512bw avx512vl
xsaveopt xsavec xgetbv1 xsaves cqm_llc cqm_occup_llc cqm_mbm_total
cqm_mbm_local split_lock_detect avx_vnni avx512_bf16 wbnoinvd dtherm ida
arat pln pts avx512vbmi umip pku ospke waitpkg avx512_vbmi2 gfni vaes
vpclmulqdq avx512_vnni avx512_bitalg tme avx512_vpopcntdq la57 rdpid
bus_lock_detect cldemote movdiri movdir64b enqcmd fsrm md_clear serialize
```

(Continued on next page)



SPEC CPU®2017 Floating Point Rate Result

Copyright 2017-2023 Standard Performance Evaluation Corporation

Dell Inc.

SPECrate®2017_fp_base = 272

PowerEdge T560 (Intel Xeon Gold 5412U)

SPECrate®2017_fp_peak = 282

CPU2017 License: 6573
Test Sponsor: Dell Inc.
Tested by: Dell Inc.

Test Date: Mar-2023
Hardware Availability: Mar-2023
Software Availability: Dec-2022

Platform Notes (Continued)

```

tsxldtrk pconfig arch_lbr avx512_fp16 amx_tile flush_llid arch_capabilities
L1d cache: 1.1 MiB (24 instances)
L1i cache: 768 KiB (24 instances)
L2 cache: 48 MiB (24 instances)
L3 cache: 45 MiB (1 instance)
NUMA node(s): 2
NUMA node0 CPU(s): 0,2,4,6,8,10,12,14,16,18,20,22,24,26,28,30,32,34,36,38,40,42,44,46
NUMA node1 CPU(s): 1,3,5,7,9,11,13,15,17,19,21,23,25,27,29,31,33,35,37,39,41,43,45,47
Vulnerability Itlb multihit: Not affected
Vulnerability L1tf: Not affected
Vulnerability Mds: Not affected
Vulnerability Meltdown: Not affected
Vulnerability Spec store bypass: Mitigation; Speculative Store Bypass disabled via prctl and seccomp
Vulnerability Spectre v1: Mitigation; usercopy/swapgs barriers and __user pointer sanitization
Vulnerability Spectre v2: Mitigation; Enhanced IBRS, IBPB conditional, RSB filling
Vulnerability Srbds: Not affected
Vulnerability Tsx async abort: Not affected

```

```

From lscpu --cache:
NAME ONE-SIZE ALL-SIZE WAYS TYPE LEVEL SETS PHY-LINE COHERENCY-SIZE
L1d 48K 1.1M 12 Data 1 64 1 64
L1i 32K 768K 8 Instruction 1 64 1 64
L2 2M 48M 16 Unified 2 2048 1 64
L3 45M 45M 15 Unified 3 49152 1 64

```

```

8. numactl --hardware
NOTE: a numactl 'node' might or might not correspond to a physical chip.
available: 2 nodes (0-1)
node 0 cpus: 0,2,4,6,8,10,12,14,16,18,20,22,24,26,28,30,32,34,36,38,40,42,44,46
node 0 size: 257422 MB
node 0 free: 237204 MB
node 1 cpus: 1,3,5,7,9,11,13,15,17,19,21,23,25,27,29,31,33,35,37,39,41,43,45,47
node 1 size: 257667 MB
node 1 free: 243548 MB
node distances:
node 0 1
0: 10 12
1: 12 10

```

```

9. /proc/meminfo
MemTotal: 527451804 kB

```

```

10. who -r
run-level 3 Mar 23 00:59

```

```

11. Systemd service manager version: systemd 249 (249.11+suse.124.g2bc0b2c447)
Default Target Status
multi-user running

```

```

12. Services, from systemctl list-unit-files
STATE UNIT FILES
enabled YaST2-Firstboot YaST2-Second-Stage apparmor auditd bluetooth cron display-manager
firewalld getty@ haveged irqbalance iscsi issue-generator kbdsettings kdump kdump-early
klog libvirtd lvm2-monitor nscd nvme-fc-boot-connections oracle postfix purge-kernels
rollback rsyslog smartd sshd wicked wickedd-auto4 wickedd-dhcp4 wickedd-dhcp6

```

(Continued on next page)



SPEC CPU®2017 Floating Point Rate Result

Copyright 2017-2023 Standard Performance Evaluation Corporation

Dell Inc.

SPECrate®2017_fp_base = 272

PowerEdge T560 (Intel Xeon Gold 5412U)

SPECrate®2017_fp_peak = 282

CPU2017 License: 6573

Test Date: Mar-2023

Test Sponsor: Dell Inc.

Hardware Availability: Mar-2023

Tested by: Dell Inc.

Software Availability: Dec-2022

Platform Notes (Continued)

```

enabled-runtime  wickedd-nanny xencommons
disabled         systemd-remount-fs
                 accounts-daemon amavis apache2 apache2@ appstream-sync-cache autofs autoyast-initscripts
                 bgpd blk-availability bluetooth-mesh boot-sysctl ca-certificates chrony-wait chronyd
                 clamav-milter clamd console-getty cups cups-browsed ddclient debug-shell dhcpd dhcpd6
                 dhcrelay dhcrelay6 dirsrv@ dnsmasq ebttables exchange-bmc-os-info fetchmail freshclam gpm
                 grub2-once haveged-switch-root hwloc-dump-hwdata instsvcdrv ipmi ipmievd iscsi-init iscsid
                 iscsiui isisd issue-add-ssh-keys kexec-load ksm kvm_stat libvirt-guests lunmask
                 man-db-create mariadb mariadb@ multipathd named nfs nfs-blkmap nfs-server nfsserver nmb
                 nvme-autoconnect ospf6d ospfd ostree-remount racoon racoon-setkey radvd rarpd@ rdisc ripd
                 ripngd rpcbind rpmconfigcheck rsyncd rtkit-daemon sapconf serial-getty@
                 smartd_generate_opts smb snmpd snmptrapd spamd spampd speech-dispatcherd squid srp_daemon
                 srp_daemon_port@ strongswan strongswan-starter svnserv sysstat
                 systemd-boot-check-no-failures systemd-network-generator systemd-nsd systemd-nspawn@ systemd-sysext
                 systemd-time-wait-sync systemd-timesyncd tcstd udisks2 upower virtinterfaced virtnetworkd
                 virtnodevd virtnwfilterd virtproxyd virtqemu virtsecret virtstorage virtxend vsftpd
                 winbind xen-dom0-modules xen-init-dom0 xen-qemu-dom0-disk-backend xen-watchdog xenconsole
                 xendomains xenstored zebra

indirect        pcsd uidd virtlockd virtlogd wickedd

```

13. Linux kernel boot-time arguments, from /proc/cmdline

```

BOOT_IMAGE=/boot/vmlinuz-5.14.21-150400.22-default
root=UUID=35458c4c-5e83-48b0-808c-9f9263c843b9
splash=silent
mitigations=auto
quiet
security=apparmor
crashkernel=320M,high
crashkernel=72M,low

```

14. cpupower frequency-info

```

analyzing CPU 0:
  Unable to determine current policy
  boost state support:
    Supported: yes
    Active: yes

```

15. sysctl

```

kernel.numa_balancing          1
kernel.randomize_va_space      2
vm.compaction_proactiveness    20
vm.dirty_background_bytes      0
vm.dirty_background_ratio     10
vm.dirty_bytes                 0
vm.dirty_expire_centisecs     3000
vm.dirty_ratio                 20
vm.dirty_writeback_centisecs  500
vm.dirtytime_expire_seconds   43200
vm.extfrag_threshold          500
vm.min_unmapped_ratio         1
vm.nr_hugepages               0
vm.nr_hugepages_mempolicy     0
vm.nr_overcommit_hugepages    0
vm.swappiness                  20
vm.watermark_boost_factor     15000
vm.watermark_scale_factor     10
vm.zone_reclaim_mode          0

```

(Continued on next page)



SPEC CPU®2017 Floating Point Rate Result

Copyright 2017-2023 Standard Performance Evaluation Corporation

Dell Inc.

SPECrate®2017_fp_base = 272

PowerEdge T560 (Intel Xeon Gold 5412U)

SPECrate®2017_fp_peak = 282

CPU2017 License: 6573
Test Sponsor: Dell Inc.
Tested by: Dell Inc.

Test Date: Mar-2023
Hardware Availability: Mar-2023
Software Availability: Dec-2022

Platform Notes (Continued)

```
-----
16. /sys/kernel/mm/transparent_hugepage
defrag          always defer defer+madvise [madvise] never
enabled         [always] madvise never
hpage_pmd_size 2097152
shmem_enabled   always within_size advise [never] deny force
-----
```

```
-----
17. /sys/kernel/mm/transparent_hugepage/khugepaged
alloc_sleep_millisecs 60000
defrag                 1
max_ptes_none         511
max_ptes_shared       256
max_ptes_swap         64
pages_to_scan         4096
scan_sleep_millisecs 10000
-----
```

```
-----
18. OS release
From /etc/*-release /etc/*-version
os-release SUSE Linux Enterprise Server 15 SP4
-----
```

```
-----
19. Disk information
SPEC is set to: /mnt/ramdisk/cpu2017-1.1.9-ic2023.0
Filesystem  Type  Size  Used Avail Use% Mounted on
tmpfs       tmpfs 125G  27G  99G  22% /mnt/ramdisk
-----
```

```
-----
20. /sys/devices/virtual/dmi/id
Vendor:      Dell Inc.
Product:     PowerEdge T560
Product Family: PowerEdge
-----
```

```
-----
21. dmidecode
Additional information from dmidecode 3.2 follows.  WARNING: Use caution when you interpret this section.
The 'dmidecode' program reads system data which is "intended to allow hardware to be accurately
determined", but the intent may not be met, as there are frequent changes to hardware, firmware, and the
"DMTF SMBIOS" standard.
Memory:
 2x 002C0632002C MTC40F2046S1RC48BA1 64 GB 2 rank 4800, configured at 4400
 3x 002C069D002C MTC40F2046S1RC48BA1 64 GB 2 rank 4800, configured at 4400
 3x 00CE00B300CE M321R8GA0BB0-CQKDG 64 GB 2 rank 4800, configured at 4400
-----
```

```
-----
22. BIOS
(This section combines info from /sys/devices and dmidecode.)
BIOS Vendor:      Dell Inc.
BIOS Version:     1.0.1
BIOS Date:        03/09/2023
BIOS Revision:    1.0
-----
```

Compiler Version Notes

```
=====
C | 519.lbm_r(base, peak) 538.imagick_r(base, peak) 544.nab_r(base, peak)
=====
```

(Continued on next page)



SPEC CPU®2017 Floating Point Rate Result

Copyright 2017-2023 Standard Performance Evaluation Corporation

Dell Inc.

SPECrate®2017_fp_base = 272

PowerEdge T560 (Intel Xeon Gold 5412U)

SPECrate®2017_fp_peak = 282

CPU2017 License: 6573
Test Sponsor: Dell Inc.
Tested by: Dell Inc.

Test Date: Mar-2023
Hardware Availability: Mar-2023
Software Availability: Dec-2022

Compiler Version Notes (Continued)

Intel(R) oneAPI DPC++/C++ Compiler for applications running on Intel(R) 64, Version 2023.0.0 Build 20221201
Copyright (C) 1985-2022 Intel Corporation. All rights reserved.

=====
C++ | 508.namd_r(base, peak) 510.parest_r(base, peak)

Intel(R) oneAPI DPC++/C++ Compiler for applications running on Intel(R) 64, Version 2023.0.0 Build 20221201
Copyright (C) 1985-2022 Intel Corporation. All rights reserved.

=====
C++, C | 511.povray_r(base, peak) 526.blender_r(base, peak)

Intel(R) oneAPI DPC++/C++ Compiler for applications running on Intel(R) 64, Version 2023.0.0 Build 20221201
Copyright (C) 1985-2022 Intel Corporation. All rights reserved.
Intel(R) oneAPI DPC++/C++ Compiler for applications running on Intel(R) 64, Version 2023.0.0 Build 20221201
Copyright (C) 1985-2022 Intel Corporation. All rights reserved.

=====
C++, C, Fortran | 507.cactuBSSN_r(base, peak)

Intel(R) oneAPI DPC++/C++ Compiler for applications running on Intel(R) 64, Version 2023.0.0 Build 20221201
Copyright (C) 1985-2022 Intel Corporation. All rights reserved.
Intel(R) oneAPI DPC++/C++ Compiler for applications running on Intel(R) 64, Version 2023.0.0 Build 20221201
Copyright (C) 1985-2022 Intel Corporation. All rights reserved.
Intel(R) Fortran Compiler for applications running on Intel(R) 64, Version 2023.0.0 Build 20221201
Copyright (C) 1985-2022 Intel Corporation. All rights reserved.

=====
Fortran | 503.bwaves_r(base, peak) 549.fotonik3d_r(base, peak) 554.roms_r(base, peak)

Intel(R) Fortran Compiler for applications running on Intel(R) 64, Version 2023.0.0 Build 20221201
Copyright (C) 1985-2022 Intel Corporation. All rights reserved.

=====
Fortran, C | 521.wrf_r(base, peak) 527.cam4_r(base, peak)

Intel(R) Fortran Compiler for applications running on Intel(R) 64, Version 2023.0.0 Build 20221201
Copyright (C) 1985-2022 Intel Corporation. All rights reserved.
Intel(R) oneAPI DPC++/C++ Compiler for applications running on Intel(R) 64, Version 2023.0.0 Build 20221201
Copyright (C) 1985-2022 Intel Corporation. All rights reserved.

Base Compiler Invocation

C benchmarks:
icx

C++ benchmarks:
icpx

(Continued on next page)



SPEC CPU®2017 Floating Point Rate Result

Copyright 2017-2023 Standard Performance Evaluation Corporation

Dell Inc.

SPECrate®2017_fp_base = 272

PowerEdge T560 (Intel Xeon Gold 5412U)

SPECrate®2017_fp_peak = 282

CPU2017 License: 6573

Test Sponsor: Dell Inc.

Tested by: Dell Inc.

Test Date: Mar-2023

Hardware Availability: Mar-2023

Software Availability: Dec-2022

Base Compiler Invocation (Continued)

Fortran benchmarks:

ifx

Benchmarks using both Fortran and C:

ifx icx

Benchmarks using both C and C++:

icpx icx

Benchmarks using Fortran, C, and C++:

icpx icx ifx

Base Portability Flags

503.bwaves_r: -DSPEC_LP64

507.cactuBSSN_r: -DSPEC_LP64

508.namd_r: -DSPEC_LP64

510.parest_r: -DSPEC_LP64

511.povray_r: -DSPEC_LP64

519.lbm_r: -DSPEC_LP64

521.wrf_r: -DSPEC_LP64 -DSPEC_CASE_FLAG -convert big_endian

526.blender_r: -DSPEC_LP64 -DSPEC_LINUX -funsigned-char

527.cam4_r: -DSPEC_LP64 -DSPEC_CASE_FLAG

538.imagick_r: -DSPEC_LP64

544.nab_r: -DSPEC_LP64

549.fotonik3d_r: -DSPEC_LP64

554.roms_r: -DSPEC_LP64

Base Optimization Flags

C benchmarks:

-w -std=c11 -m64 -Wl,-z,muldefs -xsapphirerapids -Ofast -ffast-math

-flto -mfpmath=sse -funroll-loops -qopt-mem-layout-trans=4

-Wno-implicit-int -mprefer-vector-width=512 -ljemalloc

-L/usr/local/jemalloc64-5.0.1/lib

C++ benchmarks:

-w -std=c++14 -m64 -Wl,-z,muldefs -xsapphirerapids -Ofast

-ffast-math -flto -mfpmath=sse -funroll-loops

-qopt-mem-layout-trans=4 -mprefer-vector-width=512 -ljemalloc

-L/usr/local/jemalloc64-5.0.1/lib

(Continued on next page)



SPEC CPU®2017 Floating Point Rate Result

Copyright 2017-2023 Standard Performance Evaluation Corporation

Dell Inc.

SPECrate®2017_fp_base = 272

PowerEdge T560 (Intel Xeon Gold 5412U)

SPECrate®2017_fp_peak = 282

CPU2017 License: 6573

Test Sponsor: Dell Inc.

Tested by: Dell Inc.

Test Date: Mar-2023

Hardware Availability: Mar-2023

Software Availability: Dec-2022

Base Optimization Flags (Continued)

Fortran benchmarks:

```
-w -m64 -Wl,-z,muldefs -xsapphirerapids -Ofast -ffast-math -flto
-mfpmath=sse -funroll-loops -qopt-mem-layout-trans=4
-nostandard-realloc-lhs -align array32byte -auto -ljemalloc
-L/usr/local/jemalloc64-5.0.1/lib
```

Benchmarks using both Fortran and C:

```
-w -m64 -std=c11 -Wl,-z,muldefs -xsapphirerapids -Ofast -ffast-math
-flto -mfpmath=sse -funroll-loops -qopt-mem-layout-trans=4
-Wno-implicit-int -mprefer-vector-width=512 -nostandard-realloc-lhs
-align array32byte -auto -ljemalloc -L/usr/local/jemalloc64-5.0.1/lib
```

Benchmarks using both C and C++:

```
-w -std=c++14 -m64 -std=c11 -Wl,-z,muldefs -xsapphirerapids -Ofast
-ffast-math -flto -mfpmath=sse -funroll-loops
-qopt-mem-layout-trans=4 -Wno-implicit-int -mprefer-vector-width=512
-ljemalloc -L/usr/local/jemalloc64-5.0.1/lib
```

Benchmarks using Fortran, C, and C++:

```
-w -m64 -std=c++14 -std=c11 -Wl,-z,muldefs -xsapphirerapids -Ofast
-ffast-math -flto -mfpmath=sse -funroll-loops
-qopt-mem-layout-trans=4 -Wno-implicit-int -mprefer-vector-width=512
-nostandard-realloc-lhs -align array32byte -auto -ljemalloc
-L/usr/local/jemalloc64-5.0.1/lib
```

Peak Compiler Invocation

C benchmarks:

icx

C++ benchmarks:

icpx

Fortran benchmarks:

ifx

Benchmarks using both Fortran and C:

ifx icx

Benchmarks using both C and C++:

icpx icx

Benchmarks using Fortran, C, and C++:

icpx icx ifx



SPEC CPU®2017 Floating Point Rate Result

Copyright 2017-2023 Standard Performance Evaluation Corporation

Dell Inc.

SPECrate®2017_fp_base = 272

PowerEdge T560 (Intel Xeon Gold 5412U)

SPECrate®2017_fp_peak = 282

CPU2017 License: 6573

Test Sponsor: Dell Inc.

Tested by: Dell Inc.

Test Date: Mar-2023

Hardware Availability: Mar-2023

Software Availability: Dec-2022

Peak Portability Flags

Same as Base Portability Flags

Peak Optimization Flags

C benchmarks:

519.lbm_r: basepeak = yes

538.imagick_r: basepeak = yes

544.nab_r: basepeak = yes

C++ benchmarks:

508.namd_r: basepeak = yes

510.parest_r: -w -std=c++14 -m64 -Wl,-z,muldefs -xsapphirerapids -Ofast -ffast-math -flto -mfpmath=sse -funroll-loops -qopt-mem-layout-trans=4 -mprefer-vector-width=512 -ljemalloc -L/usr/local/jemalloc64-5.0.1/lib

Fortran benchmarks:

503.bwaves_r: basepeak = yes

549.fotonik3d_r: basepeak = yes

554.roms_r: -w -m64 -Wl,-z,muldefs -xsapphirerapids -Ofast -ffast-math -flto -mfpmath=sse -funroll-loops -qopt-mem-layout-trans=4 -nostandard-realloc-lhs -align array32byte -auto -ljemalloc -L/usr/local/jemalloc64-5.0.1/lib

Benchmarks using both Fortran and C:

521.wrf_r: -w -m64 -std=c11 -Wl,-z,muldefs -xsapphirerapids -Ofast -ffast-math -flto -mfpmath=sse -funroll-loops -qopt-mem-layout-trans=4 -Wno-implicit-int -mprefer-vector-width=512 -nostandard-realloc-lhs -align array32byte -auto -ljemalloc -L/usr/local/jemalloc64-5.0.1/lib

527.cam4_r: basepeak = yes

(Continued on next page)



SPEC CPU®2017 Floating Point Rate Result

Copyright 2017-2023 Standard Performance Evaluation Corporation

Dell Inc.

SPECrate®2017_fp_base = 272

PowerEdge T560 (Intel Xeon Gold 5412U)

SPECrate®2017_fp_peak = 282

CPU2017 License: 6573

Test Sponsor: Dell Inc.

Tested by: Dell Inc.

Test Date: Mar-2023

Hardware Availability: Mar-2023

Software Availability: Dec-2022

Peak Optimization Flags (Continued)

Benchmarks using both C and C++:

```
511.povray_r: -w -std=c++14 -m64 -std=c11 -Wl,-z,muldefs
-fprofile-generate(pass 1)
-fprofile-use=default.profdata(pass 2) -xCORE-AVX2(pass 1)
-flto -Ofast -xCORE-AVX512 -ffast-math -mfpmath=sse
-funroll-loops -qopt-mem-layout-trans=4 -Wno-implicit-int
-mprefer-vector-width=512 -ljemalloc
-L/usr/local/jemalloc64-5.0.1/lib
```

526.blender_r: basepeak = yes

Benchmarks using Fortran, C, and C++:

```
-w -m64 -std=c++14 -std=c11 -Wl,-z,muldefs -xsapphirerapids -Ofast
-ffast-math -flto -mfpmath=sse -funroll-loops
-qopt-mem-layout-trans=4 -Wno-implicit-int -mprefer-vector-width=512
-nostandard-realloc-lhs -align array32byte -auto -ljemalloc
-L/usr/local/jemalloc64-5.0.1/lib
```

The flags files that were used to format this result can be browsed at

<http://www.spec.org/cpu2017/flags/Intel-ic2023-official-linux64.html>

<http://www.spec.org/cpu2017/flags/Dell-Platform-Flags-PowerEdge-Intel-Xeon-v1.3.html>

You can also download the XML flags sources by saving the following links:

<http://www.spec.org/cpu2017/flags/Intel-ic2023-official-linux64.xml>

<http://www.spec.org/cpu2017/flags/Dell-Platform-Flags-PowerEdge-Intel-Xeon-v1.3.xml>

SPEC CPU and SPECrate are registered trademarks of the Standard Performance Evaluation Corporation. All other brand and product names appearing in this result are trademarks or registered trademarks of their respective holders.

For questions about this result, please contact the tester. For other inquiries, please contact info@spec.org.

Tested with SPEC CPU®2017 v1.1.9 on 2023-03-22 17:09:27-0400.

Report generated on 2023-04-26 10:31:58 by CPU2017 PDF formatter v6716.

Originally published on 2023-04-26.